

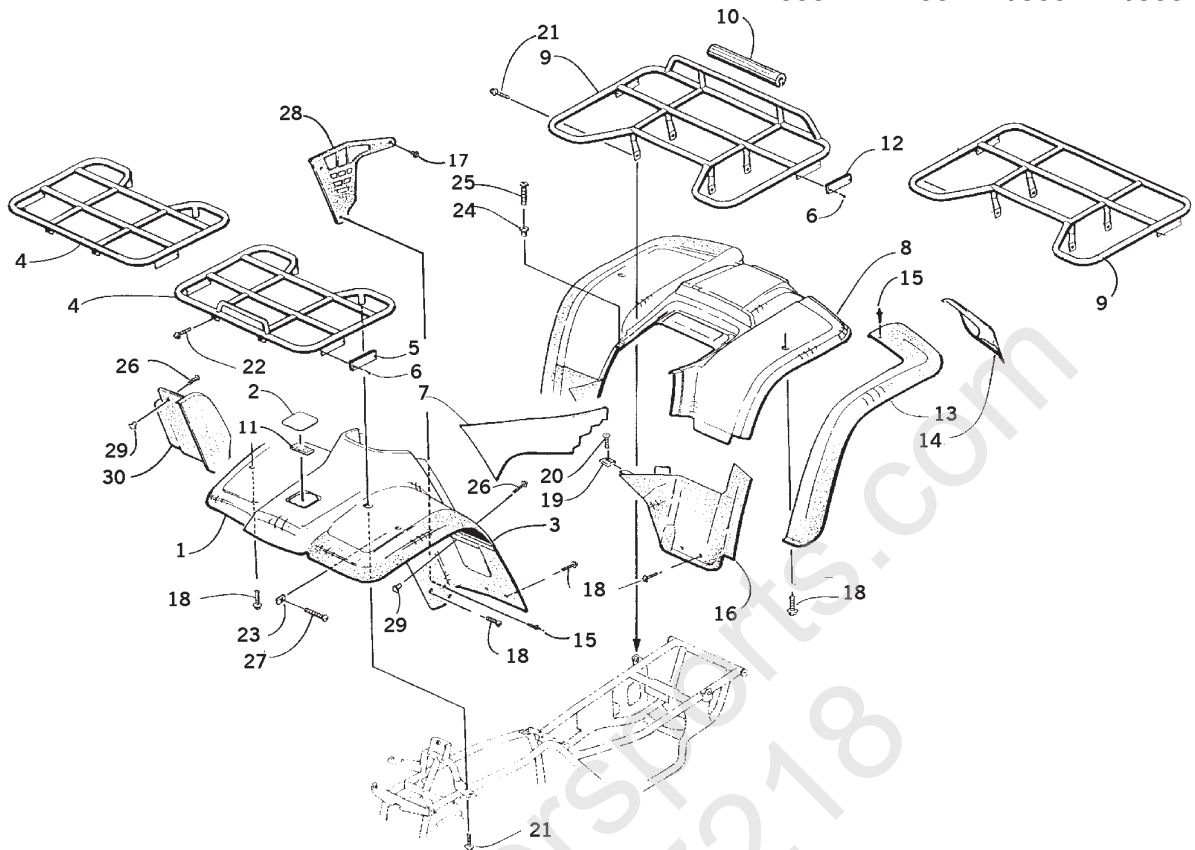
# TABLE OF CONTENTS

## 2000 ATV 250/300 2X4/300 4X4

250 Red (Model No. A2000ATE2AUSR)      250 Green (Model No. A2000ATE2AUSG)  
300 2X4 Red (Model No. A2000ATF2AUSR)      300 2X4 Green (Model No. A2000ATF2AUSG)  
300 4X4 Red (Model No. A2000ATF4AUSR)      300 4X4 Green (Model No. A2000ATF4AUSG)

BODY PANEL ASSEMBLY . . . . .	1
TAILLIGHT ASSEMBLY . . . . .	2
DECALS . . . . .	3
FRAME AND RELATED PARTS . . . . .	4
SEAT ASSEMBLY . . . . .	5
STEERING ASSEMBLY . . . . .	6
FRONT SUSPENSION ASSEMBLY . . . . .	7
REAR SUSPENSION ASSEMBLY . . . . .	8
WHEEL AND TIRE ASSEMBLY . . . . .	9
MECHANICAL BRAKE ASSEMBLY . . . . .	10
HYDRAULIC BRAKE CONTROL ASSEMBLY . . . . .	11
HYDRAULIC BRAKE ASSEMBLY . . . . .	12
HYDRAULIC BRAKE ASSEMBLY (VIN H7YT308776 AND UP) . . . . .	13
FUEL TANK ASSEMBLY . . . . .	14
REVERSE SHIFT LEVER ASSEMBLY . . . . .	15
AIR INTAKE ASSEMBLY . . . . .	16
SHIFTER ASSEMBLY . . . . .	17
ENGINE AND RELATED PARTS . . . . .	18
OIL COOLER ASSEMBLY . . . . .	19
ELECTRICAL COMPONENTS . . . . .	20
CARBURETOR . . . . .	21
CYLINDER HEAD ASSEMBLY . . . . .	22
CYLINDER ASSEMBLY . . . . .	23
CRANKCASE ASSEMBLY . . . . .	24
CRANKCASE COVER ASSEMBLY . . . . .	25
CRANKSHAFT ASSEMBLY . . . . .	26
STARTER CLUTCH ASSEMBLY . . . . .	27
CAMSHAFT/VALVE ASSEMBLY . . . . .	28
CAM CHAIN ASSEMBLY . . . . .	29
RECOIL STARTER ASSEMBLY . . . . .	30
OIL PUMP ASSEMBLY . . . . .	31
CLUTCH ASSEMBLY . . . . .	32
TRANSMISSION ASSEMBLY . . . . .	33
SECONDARY TRANSMISSION ASSEMBLY . . . . .	34
SECONDARY GEAR/OUTPUT SHAFT ASSEMBLY . . . . .	35
GEAR SHIFTING ASSEMBLY . . . . .	36
DIFFERENTIAL GEAR ASSEMBLY (4X4) . . . . .	37
DIFFERENTIAL LOCK ASSEMBLY (4X4) . . . . .	38
STARTER MOTOR ASSEMBLY . . . . .	39
MAGNETO ASSEMBLY . . . . .	40
CONTROL SWITCH HOUSING ASSEMBLY . . . . .	41
THROTTLE CASE ASSEMBLY . . . . .	42
RELATED ITEMS . . . . .	Back Cover

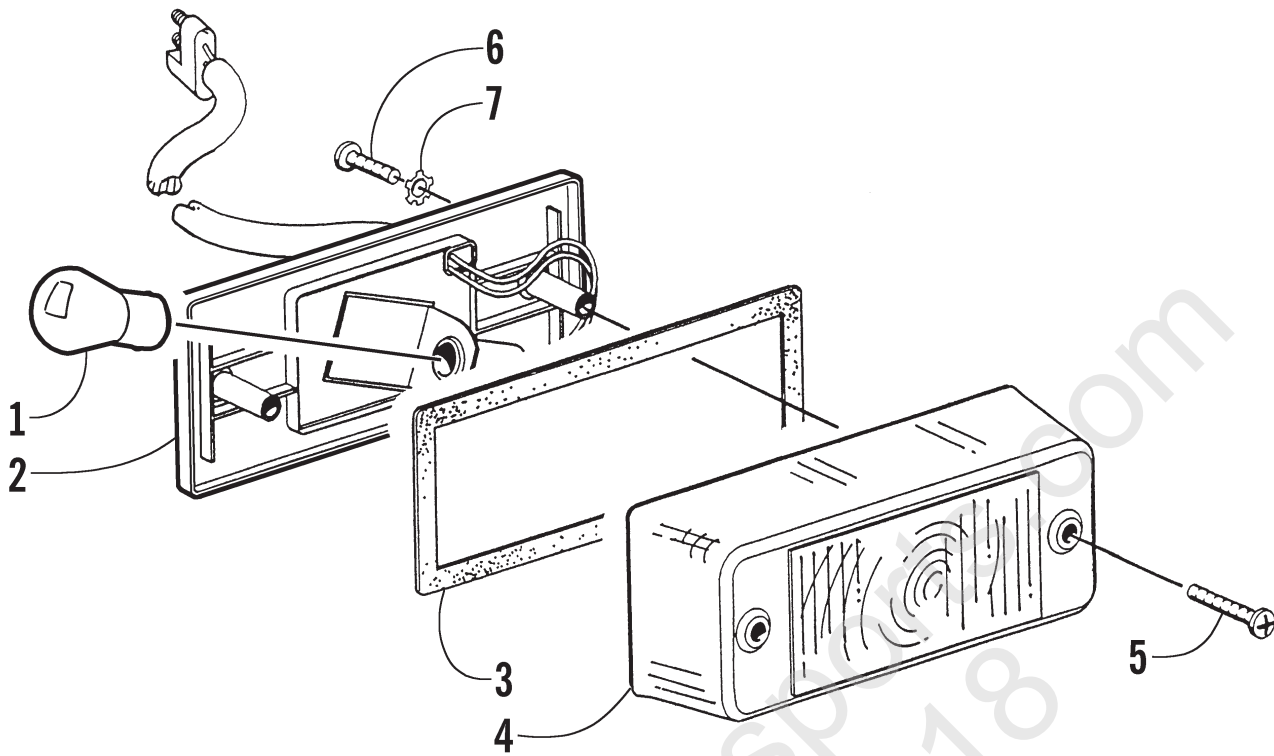
■ NOTE: The illustrations used in this Parts Manual are for reference to replacement part numbers only and are not to be used for assembly. For assembly procedures, use an Arctic Cat Service Manual. Underlined part numbers are new for the 2000 model year.



## BODY PANEL ASSEMBLY

0735-428

Ref.	Part No.	Qty.	Description	Ref.	Part No.	Qty.	Description
1	0506-239	1	Panel, Fender - Front (2X4) (Red)	13	0406-082	1	Flare - Rear Right (4X4)
	<u>0506-365</u>	1	Panel, Fender - Front (2X4) (Green)		0406-083	1	Flare - Rear Left (4X4)
	0506-257	1	Panel, Fender - Front (4X4) (Red)	14	<u>0406-460</u>	1	Mud Flap - Right (4X4)
	0506-303	1	Panel, Fender - Front (4X4) (Green)		<u>0406-461</u>	1	Mud Flap - Left (4X4)
2	0506-153	1	Cover, Access (Red)	15	0423-046	12	Rivet, Plastic (2X4)
	0506-145	1	Cover, Access (Green)		0423-046	58	Rivet, Plastic (4X4)
3	0506-274	1	Flare - Front Right (4X4)	16	0406-084	1	Fender Extension - Rear Right (2X4)
	0506-275	1	Flare - Front Left (4X4)		0406-085	1	Fender Extension - Rear Left (2X4)
4	0506-285	1	Rack - Front (2X4)		0506-160	1	Fender Extension - Rear Right (4X4)
	0506-191	1	Rack - Front (4X4)		0506-161	1	Fender Extension - Rear Left (4X4)
5	0606-526	2	Reflector, Front - Yellow	17	0623-362	2	Rivet, Plastic
6	0623-269	8	Clip, Retaining	18	0423-101	AR	Screw, Machine
7	0506-242	1	Panel, Side - Right (Red)	19	0423-060	2	Clip, Tinerman
	0506-243	1	Panel, Side - Left (Red)	20	0623-309	2	Screw, Self-Tapping
	0506-164	1	Panel, Side - Right (Green)	21	8409-020	6	Screw, Cap
	0506-165	1	Panel, Side - Left (Green)	22	8408-812	2	Screw, Cap
8	0506-245	1	Panel, Fender - Rear (2X4) (Red)	23	0423-031	2	Nut, Speed
	<u>0506-367</u>	1	Panel, Fender - Rear (2X4) (Green)	24	0123-010	1	Nut, Expansion
	0506-258	1	Panel, Fender - Rear (4X4) (Red)	25	0423-068	2	Screw, Machine
	0506-302	1	Panel, Fender - Rear (4X4) (Green)	26	8477-610	4	Screw, Machine (2X4)
9	0506-284	1	Rack - Rear (2X4)	27	8476-616	2	Screw, Machine
	0506-190	1	Rack - Rear (4X4)	28	0406-374	2	Panel, Deflector
10	0406-293	1	Wrap, Tube - Rear Rack	29	0423-077	4	T-Nut (2X4)
11	0417-002	1	Foam, Access Panel	30	0506-272	1	Flare - Front Right (2X4)
12	0606-029	2	Reflector, Rear - Red		0506-273	1	Flare - Front Left (2X4)

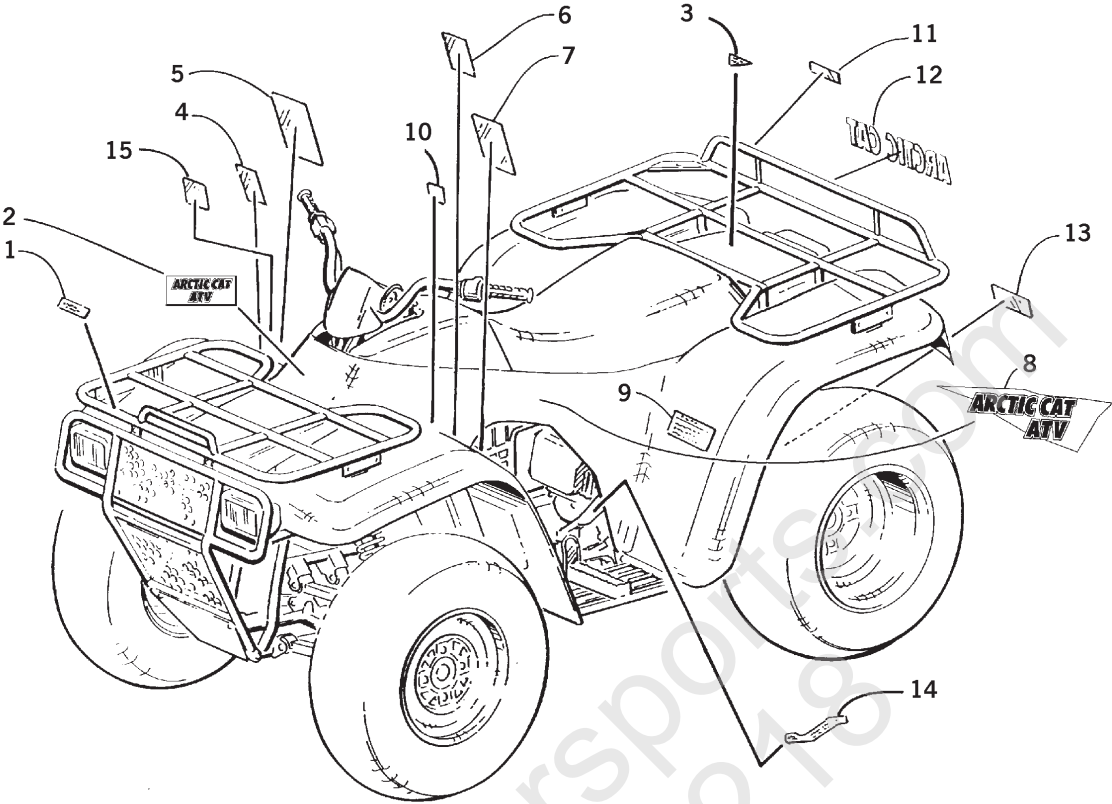


## TAILLIGHT ASSEMBLY

(Complete Taillight Assembly p/n 0409-002)

0732-336

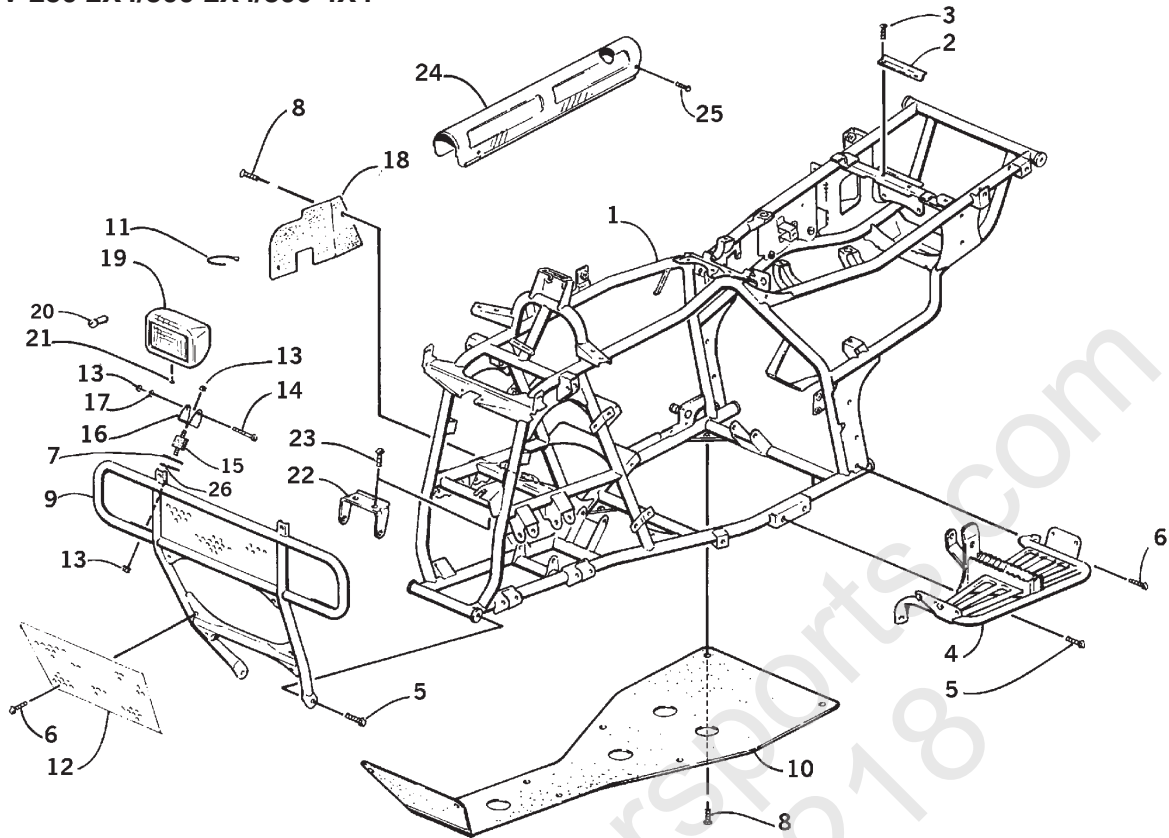
Ref.	Part No.	Qty.	Description	Ref.	Part No.	Qty.	Description
1	0109-460	1	Bulb, Stop/Taillight	5	0409-010	2	Screw, Machine
2	0409-011	1	Taillight w/Socket Assembly	6	0623-301	2	Screw, Self-Tapping
3	0409-012	1	Gasket, Taillight Lens	7	8053-212	2	Washer, Lock - External Tooth
4	0409-007	1	Lens, Taillight				



# DECALS

0735-445

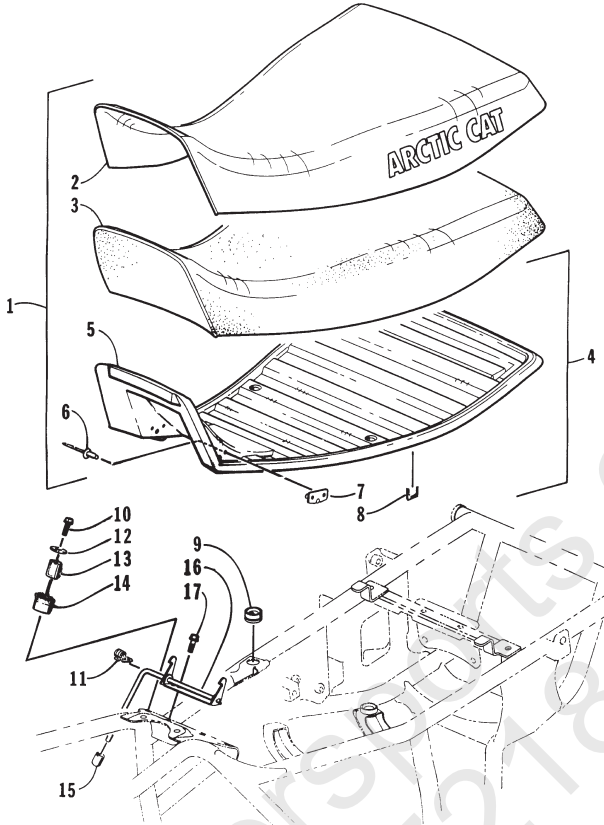
Ref.	Part No.	Qty.	Description	Ref.	Part No.	Qty.	Description
1	0411-082	1	Decal, Warning - Front Rack Load	9	0411-223	1	Decal, Warning - Tire Pressure (250)
2	0411-201	1	Decal, Front (2X4) (Red)		0411-224	1	Decal, Warning - Tire Pressure (300 2X4)
	0411-263	1	Decal, Front (2X4) (Green)		0411-225	1	Decal, Warning - Tire Pressure (4X4)
	0411-216	1	Decal, Front (4X4) (Red)	10	0411-086	1	Decal, Shift Pattern
	0411-211	1	Decal, Front (4X4) (Green)	11	0411-083	1	Decal, Warning - Rear Rack Load
3	3611-002	1	Decal, "Made In U.S.A."	12	0411-043	1	Decal, "Arctic Cat" (4X4)
4	0411-045	1	Decal, Warning - Turn	13	0411-269	1	Decal, Warning - Towing
5	0411-008	1	Decal, Warning Reverse/Pre-Ride	14	0411-088	1	Decal, Hi/Low Range (2X4)
6	0411-040	1	Decal, Warning - Age		0411-090	1	Decal, Hi/Low Range (4X4)
7	0411-218	1	Decal, Warning - General	15	0411-145	1	Decal, 2x4/4x4 Shift (4X4)
8	0411-206	1	Decal, "250" - Side Right (2X4) (Red)				
	0411-207	1	Decal, "250" - Side Left (2X4) (Red)				
	0411-252	1	Decal, "250" - Side Right (2X4) (Green)				
	0411-253	1	Decal, "250" - Side Left (2X4) (Green)				
	0411-260	1	Decal, "300" - Side Right (2X4) (Red)				
	0411-261	1	Decal, "300" - Side Left (2X4) (Red)				
	0411-254	1	Decal, "300" - Side Right (2X4) (Green)				
	0411-255	1	Decal, "300" - Side Left (2X4) (Green)				
	0411-256	1	Decal, "300" - Side Right (4X4) (Red)				
	0411-257	1	Decal, "300" - Side Left (4X4) (Red)				
	0411-258	1	Decal, "300" - Side Right (4X4) (Green)				
	0411-259	1	Decal, "300" - Side Left (4X4) (Green)				



## FRAME AND RELATED PARTS

0735-421

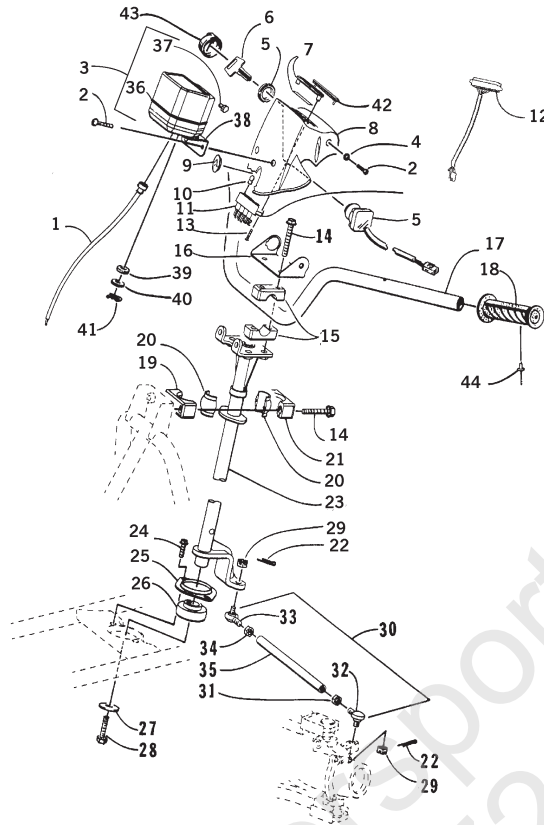
Ref.	Part No.	Qty.	Description	Ref.	Part No.	Qty.	Description
1	0506-351	1	Frame, Main	14	8408-850	2	Screw, Cap
2	0406-372	1	Bracket, Body Hold-Down	15	0406-262	2	Mount, Headlight
3	8476-616	2	Screw, Machine	16	0406-261	2	Yoke, Headlight
4	0506-176	1	Footrest - Right	17	8053-242	2	Washer, Lock - External Tooth
	0506-217	1	Footrest - Left	18	0406-300	2	Panel, Inner Fender (300)
5	8409-020	6	Screw, Cap	19	0409-001	2	Headlight Assembly (inc. 20-21)
6	8408-816	8	Screw, Cap	20	0409-005	2	• Bulb, Headlight
7	3423-204	2	Washer	21	0123-950	2	• Screw, Machine
8	0423-101	12	Screw, Body	22	0506-210	1	Bracket, Differential (4x4)
9	0506-192	1	Guard, Brush	23	8408-820	2	Screw, Cap (4x4)
10	0406-354	1	Panel, Belly	24	0406-371	1	Cover, Front Driveshaft (4x4)
11	0123-788	AR	Cable Tie - 7 in.	25	8471-610	4	Screw, Cap (4x4)
12	0406-390	1	Screen, Bumper - Lower (300)	26	0623-710	2	Washer, Lock - High Collar
13	8424-802	6	Nut				



### SEAT ASSEMBLY

0733-618 \*Not a Service Part

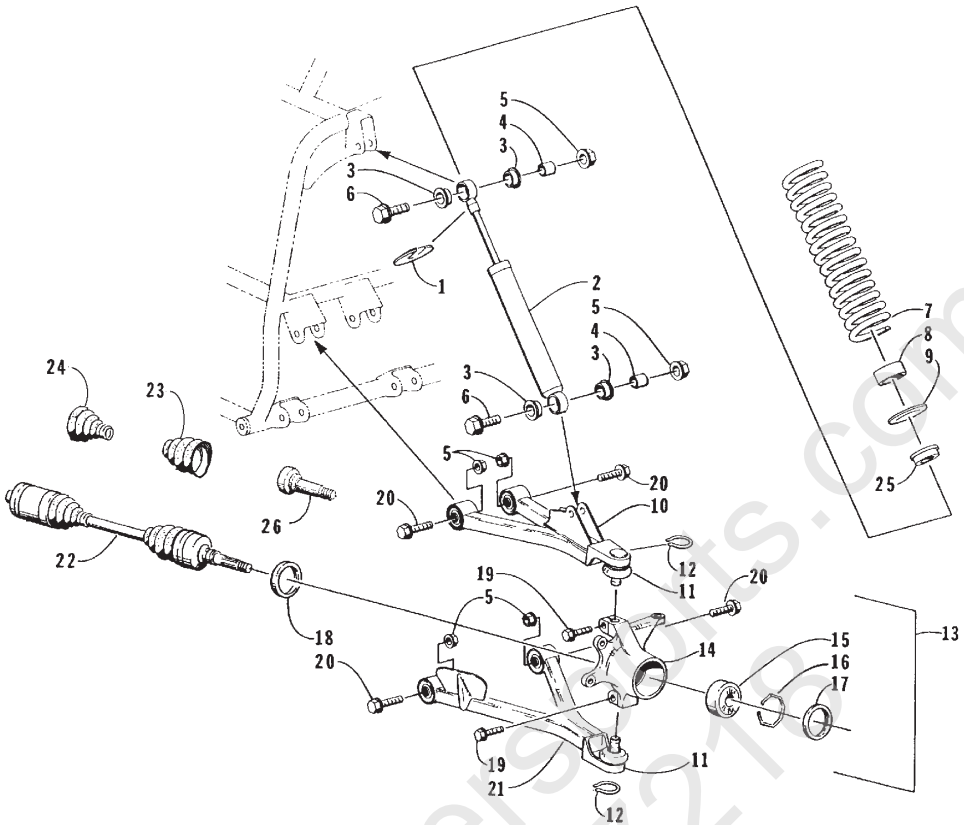
Ref.	Part No.	Qty.	Description	Ref.	Part No.	Qty.	Description
1	5990-176	1	Seat Assembly (inc. 2-8)	10	8476-620	2	Screw, Cap
2	0506-290	1	● Cover, Seat	11	0406-235	1	Spring, Seat Latch
3	0506-291	1	● Foam, Seat	12	8050-217	2	Washer
4	0506-223	1	● Base, Seat - Assembly (inc. 5-7)	13	0406-199	2	Collar, Front Seat-Base
5	*	1	●● Base, Seat	14	0406-171	2	Bumper, Seat-Base - Front
6	8061-628	4	●● Rivet	15	0623-404	1	Cap, Protector
7	0506-147	2	●● Pin, Seat-Base - Front	16	0406-103	1	Latch, Seat - Assembly
8	0624-100	AR	● Staple	17	8476-616	2	Screw, Machine
9	0406-309	2	Grommet, Seat - Center				



## STEERING ASSEMBLY

0735-420

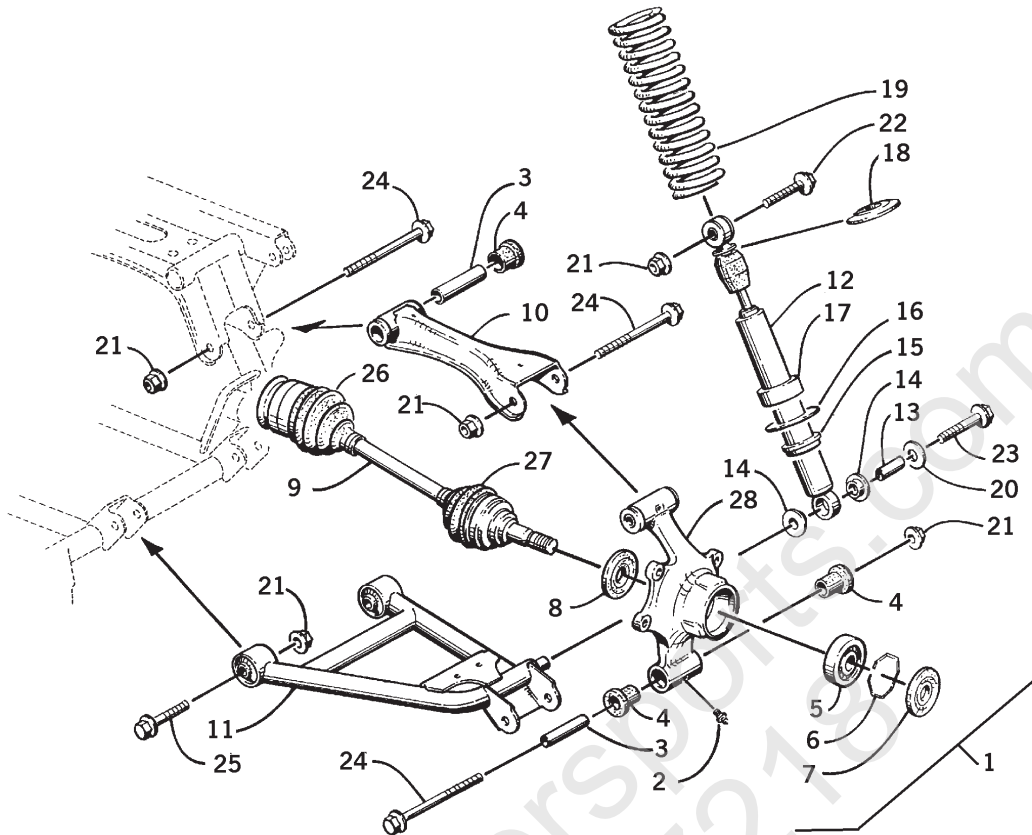
Ref.	Part No.	Qty.	Description	Ref.	Part No.	Qty.	Description
1	0487-013	1	Cable, Speedometer (4X4)	21	0605-147	1	Housing, Bearing - Upper
2	8477-616	3	Screw, Machine	22	0623-175	4	Pin, Cotter
3	0420-025	1	Speedometer (inc. 36-41) (4X4)	23	0505-078	1	Post, Steering
4	0423-052	1	Collar, Body	24	8408-816	2	Screw, Cap
5	3430-028	1	Switch, Ignition - Assembly (inc. 6)	25	0602-233	1	Flange, Bearing
	3430-040	1	Switch, Ignition - Assembly (inc. 6)	26	0405-052	1	Bearing, Steering
			(Vehicle Identification Number J6YT310330 And Up)	27	0423-073	1	Washer
6	3409-007	1	• Key, Ignition - Blank (C Series)	28	8409-020	1	Screw, Cap
	3409-011	1	• Key, Ignition - Blank (D Series)	29	0423-157	4	Nut, Top Lock
7	0420-011	1	Bezel/Lens, Warning - Assembly	30	0505-072	2	Tie Rod, Assembly (inc. 31-35)
8	0405-063	1	Housing, Instrument (300)	31	8420-002	2	• Nut
9	0405-042	1	Plug, Instrument Pod (2x4)	32	0405-082	2	• Ball Joint, Tie Rod - Right
10	0420-013	4	Bulb, Light Bar (250)	33	0405-083	2	• Ball Joint, Tie Rod - Left
11	0420-001	1	Light, Warning - Assembly (250)	34	0423-013	2	• Nut - Left
12	0420-022	1	Panel, LED (300)	35	0405-032	2	• Tie Rod
13	0123-950	2	Screw, Self-Tapping (250)	36	0420-020	1	Head, Speedometer (4x4)
14	8408-860	6	Screw, Cap	37	0420-027	1	Knob, Speedometer Trip(4x4)
15	0405-035	4	Cap, Steering Adjuster	38	0420-018	1	Bracket, Speedometer (4x4)
16	0506-139	1	Bracket, Key Switch	39	0420-016	2	Mount, Rubber (4x4)
17	0505-028	1	Tube, Handlebar	40	0420-017	2	Washer (4x4)
18	0405-039	2	Grip, Handlebar	41	0420-015	2	Pin, Retainer (4x4)
19	0605-171	1	Housing, Bearing - Lower	42	0405-036	1	Plate, "Arctic Cat" - Instrument Pod (250)
20	0405-020	2	Bearing, Steering Post	43	0409-013	1	Cover, Key
				44	8060-428	2	Rivet



# FRONT SUSPENSION ASSEMBLY

0735-394

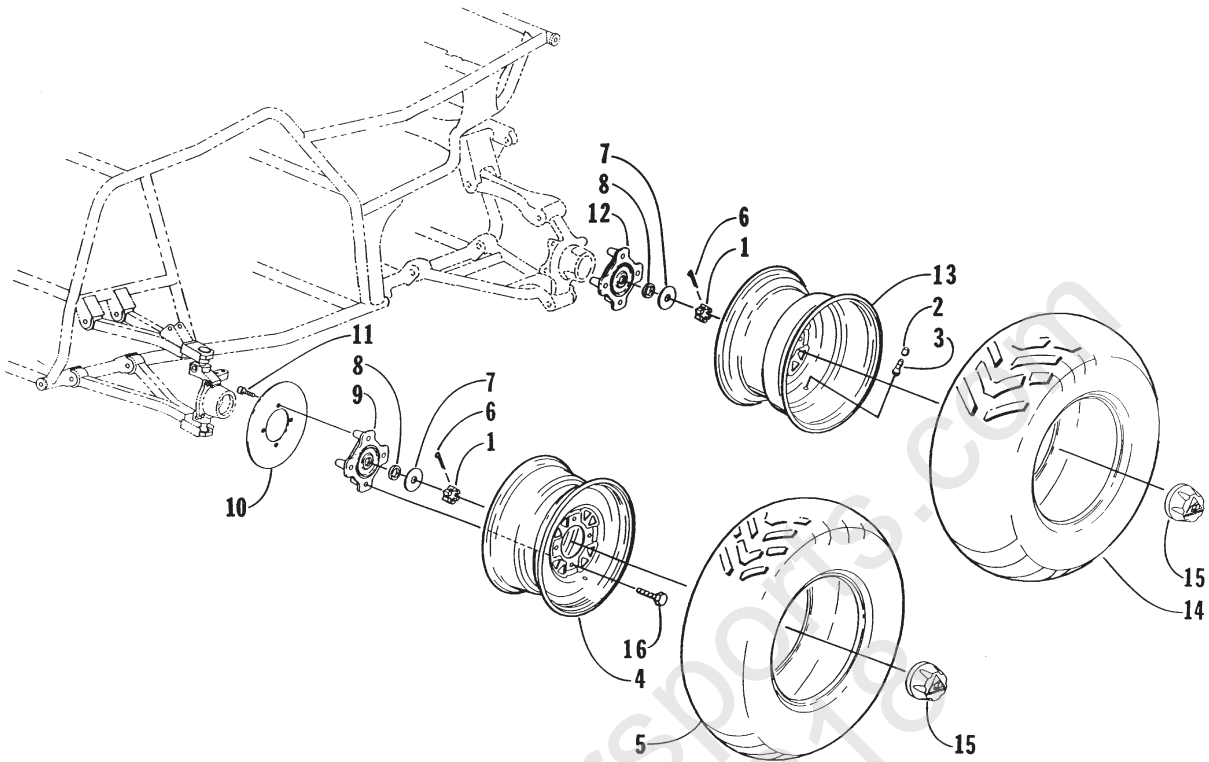
Ref.	Part No.	Qty.	Description	Ref.	Part No.	Qty.	Description
1	0603-033	2	Retainer, Spring	15	0402-275	2	● Bearing, Wheel Hub - Front
2	0403-036	2	Shock Absorber - Front (inc. 3-4) (2X4)	16	0423-034	2	● Clip, Bearing
	0403-015	2	Shock Absorber - Front (inc. 3-4) (4X4)	17	0402-089	2	● Seal, Wheel Bearing - Front
3	0604-310	8	● Bushing, Shock Absorber	18	0402-069	2	● Seal, Wheel Bearing - Front
4	0403-028	4	● Sleeve, Shock	19	8409-030	4	Screw, Cap
5	8428-002	12	Nut, Lock	20	8409-060	8	Screw, Cap
6	8409-040	4	Screw, Cap	21	0503-036	1	A-Arm, Lower Right (inc. 11-12) (250)
7	0403-037	2	Spring, Shock Absorber (2X4)		0503-037	1	A-Arm, Lower Left (inc. 11-12) (250)
	0403-022	2	Spring, Shock Absorber (4X4)		0503-037	1	A-Arm, Lower Right (inc. 11-12) (300 2X4)
8	0403-025	2	Collar, Spring		0503-036	1	A-Arm, Lower Left (inc. 11-12) (300 2X4)
9	0403-013	2	Washer, Spring		0503-082	1	A-Arm, Lower Right (inc. 11-12) (4X4)
10	0503-026	1	A-Arm, Upper Right - Assembly (inc. 11-12)		0503-075	1	A-Arm, Lower Left (inc. 11-12) (4X4)
	0503-027	1	A-Arm, Upper Left - Assembly (inc. 11-12)	22	0402-179	1	Axle, Drive - Front Right (4X4)
11	0405-068	4	● Ball Joint - Front		0402-249	1	Axle, Drive - Front Left (4X4)
12	0423-009	4	● Clip, Ball Joint	23	0436-114	2	Repair Kit, Outer Boot - Front Axle (4X4)
13	0505-064	1	Knuckle - Assembly - Right (inc. 14-18)	24	0436-113	2	Repair Kit, Inner Boot - Front Axle (4X4)
	0505-065	1	Knuckle - Assembly - Left (inc. 14-18)	25	0403-027	2	Retainer, Spring - Lower
14	0505-062	1	● Knuckle, Steering - Right	26	0402-183	2	Axle, Stub (2x4)
	0505-063	1	● Knuckle, Steering - Left				



## REAR SUSPENSION ASSEMBLY

0735-440

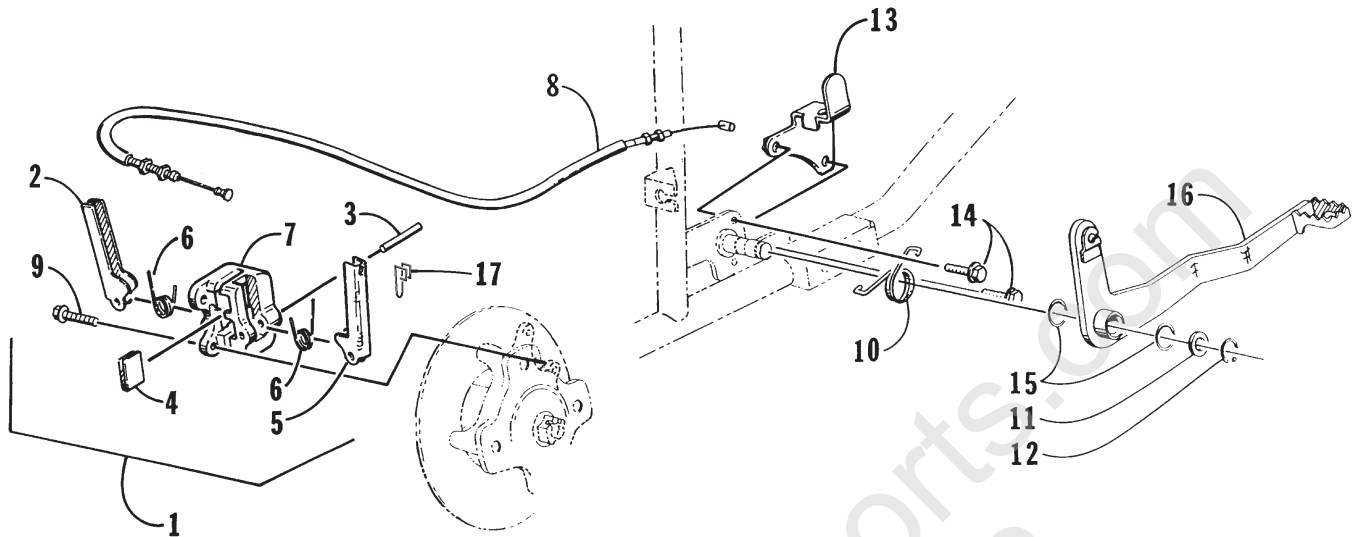
Ref.	Part No.	Qty.	Description	Ref.	Part No.	Qty.	Description
1	0504-026	1	Knuckle, Right Rear - Assembly (inc. 2, 5-8, and 28)	14	0604-310	8	Bushing, Shock Absorber
	0504-027	1	Knuckle, Left Rear - Assembly (inc. 2, 5-8, and 28)	15	0403-027	2	Retainer, Spring - Lower
2	0423-095	6	• Fitting, Grease	16	0403-013	2	Washer, Spring Adjust
3	0403-038	6	Collar, Suspension Bushing	17	0403-025	2	Collar, Spring
4	0403-032	12	Bushing, Suspension	18	0603-033	2	Retainer, Spring
5	0402-275	2	Bearing, Wheel	19	0403-002	2	Spring, Suspension
6	0423-034	2	Clip, Bearing	20	0423-087	2	Washer
7	0402-089	2	Seal	21	8428-002	12	Nut, Lock
8	0402-069	2	Seal	22	8409-040	2	Screw, Cap
9	0402-171	2	Axle, Drive	23	8408-820	2	Screw, Cap
10	0504-029	2	Arm, Rear - Upper (inc. 2)	24	8409-000	6	Screw, Cap
11	0504-030	1	A-Arm, Rear - Lower Right	25	8409-060	4	Screw, Cap
	0504-031	1	A-Arm, Rear - Lower Left	26	0436-113	2	Repair Kit, Inner Boot - Rear Axle
12	0404-014	2	Shock Absorber - Rear	27	0436-114	2	Repair Kit, Outer Boot - Rear Axle
13	0403-028	4	Sleeve, Shock Absorber	28	0504-032	1	Knuckle - Right
					0504-037	1	Knuckle - Left



## WHEEL AND TIRE ASSEMBLY

0733-661

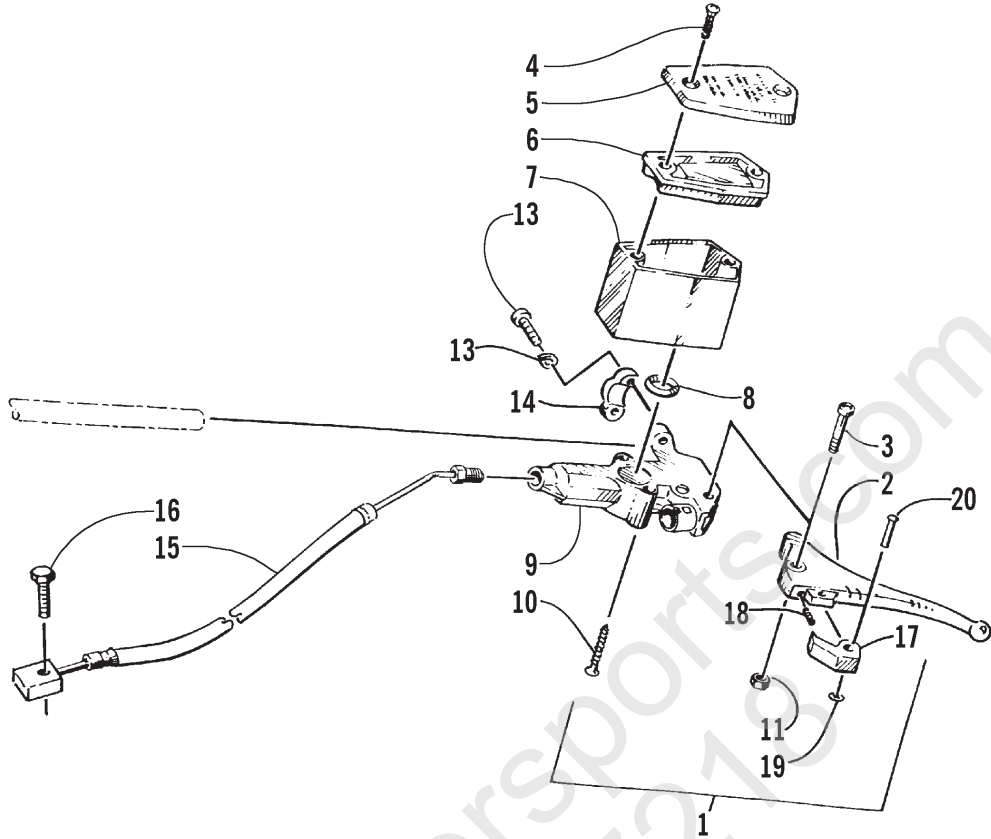
Ref.	Part No.	Qty.	Description	Ref.	Part No.	Qty.	Description
1	3423-213	4	Nut, Hex	9	0502-040	2	Hub, Wheel - Front (2X4)
2	0402-140	4	Cap, Valve Stem		0502-041	2	Hub, Wheel - Front (4X4)
3	0402-064	4	Stem, Valve	10	0402-009	3	Disc, Brake
4	0402-375	2	Wheel - Front	11	0423-029	12	Screw, Machine
5	0402-316	2	Tire - Front (2X4)	12	0502-041	2	Hub, Wheel - Rear
	0402-317	2	Tire - Front (4X4)	13	0402-375	2	Wheel - Rear
6	0123-458	4	Pin, Cotter	14	0402-317	2	Tire, Rear (250)
7	0423-080	4	Washer		0402-319	2	Tire, Rear (300)
8	0402-181	4	Seal, Hub	15	0403-035	4	Cap, Wheel - Center
				16	8409-020	16	Screw, Cap



## MECHANICAL BRAKE ASSEMBLY

0735-419 \*Not a Service Part

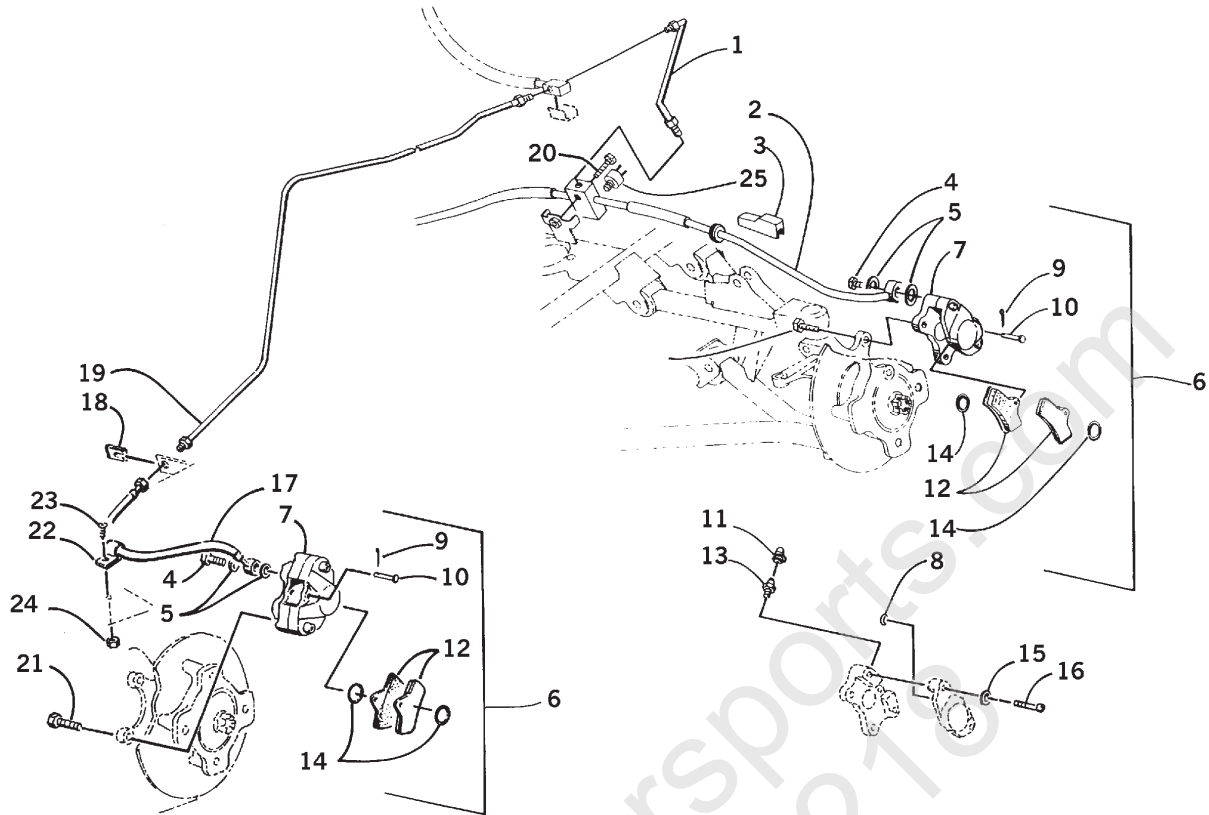
Ref. Part No.	Qty.	Description	Ref. Part No.	Qty.	Description		
1	0502-115	1	Mechanical Brake Assembly (inc. 2-7)	10	0402-161	1	Spring, Brake
2	0402-206	1	• Arm, Inner	11	0423-027	1	Washer, Brake Lever
3	0402-208	2	• Pin, Arm	12	0623-237	1	Ring, Snap
4	0402-210	2	• Pad, Brake	13	0502-056	1	Bracket, Brake Switch
5	0402-207	1	• Arm, Outer	14	8476-616	2	Screw, Cap
6	0402-209	2	• Spring, Arm	15	0670-183	2	O-Ring
7	*	1	• Housing, Brake	16	0502-095	1	Lever, Brake
8	0487-010	1	Cable, Brake - Rear	17	0402-379	1	Wire Form, Cable
9	8408-825	2	Screw, Cap				



# HYDRAULIC BRAKE CONTROL ASSEMBLY

0733-434 \*Not a Service Part

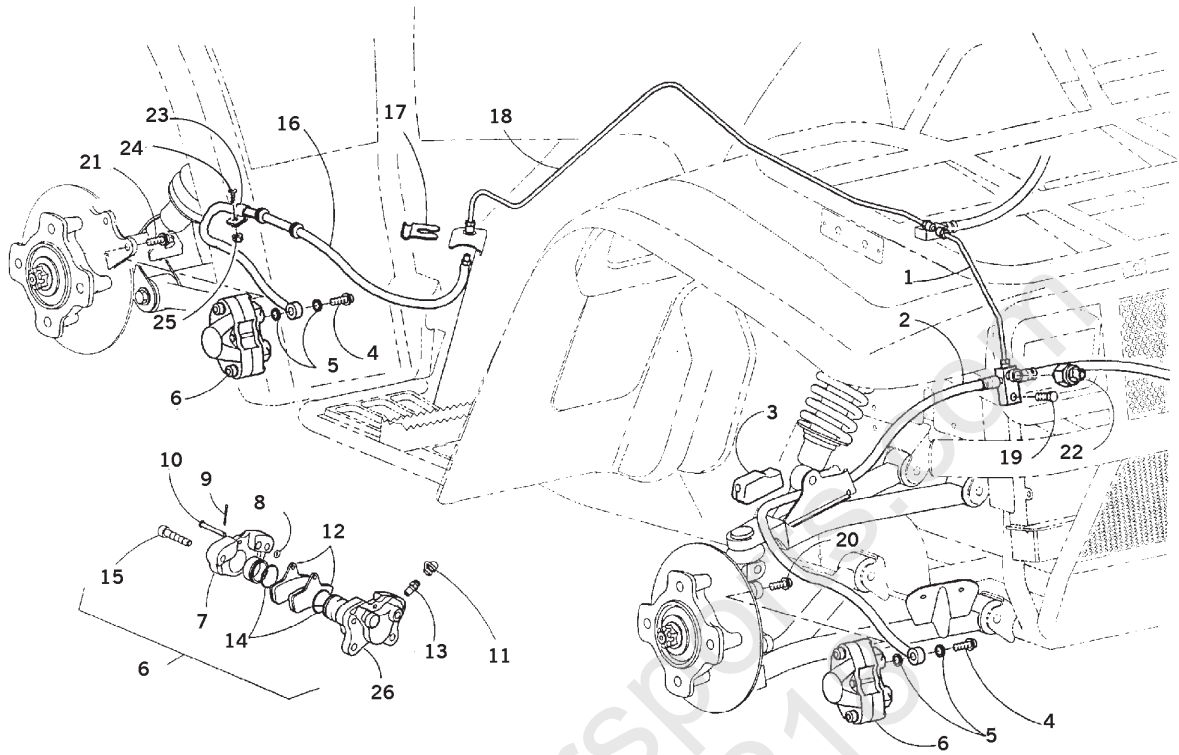
Ref.	Part No.	Qty.	Description	Ref.	Part No.	Qty.	Description
1	0502-132	1	Lever, Brake - Assembly (inc. 2-14 and 17-20)	11	0623-056	1	• Nut, Lock
2	0402-423	1	• Lever, Brake	12	8052-212	2	• Washer, Lock
3	0623-430	1	• Bolt, Lever Mounting	13	0623-629	2	• Screw, Clamp
4	0623-506	2	• Screw, Cover	14	0602-907	1	• Clamp
5	0602-742	1	• Cover, Reservoir	15	0402-050	1	Hose, Master Cylinder
6	0602-741	1	• Gasket, Reservoir Cover	16	8476-625	1	Screw, Cap
7	0602-740	1	• Reservoir, Brake	17	0402-240	1	Wedge, Parking Brake
8	0602-587	1	• O-Ring, Reservoir	18	0402-245	1	Spring
9	*	1	• Master Cylinder	19	0423-090	1	Nut, Press
10	0623-432	2	• Screw, Reservoir Mount	20	0402-246	1	Pin



## HYDRAULIC BRAKE ASSEMBLY

0735-418 \*Not a Service Part

Ref.	Part No.	Qty.	Description	Ref.	Part No.	Qty.	Description
1	0402-053	1	Tube, Brake Line - Front (2X4)	12	0402-096	6	● Pad, Brake
	0402-373	1	Tube, Brake Line - Front (4X4)	13	0402-167	3	● Valve, Bleed
2	0402-051	1	Hose, Brake - Front (2X4)	14	0402-141	6	● O-Ring, Brake Caliper
	0402-307	1	Hose, Brake - Front (4X4)	15	0402-165	6	● Washer
3	0402-073	2	Block, Mounting	16	0402-166	6	● Screw, Socket Head
4	0423-038	3	Bolt, Oil	17	0402-254	1	Hose, Brake - Rear
5	0423-039	6	Washer, Crush	18	0402-115	1	Clip, Brake Line
6	0402-010	1	Caliper, Brake - Right Front (inc. 7-16)	19	0402-170	1	Tube, Brake Line - Rear
	0402-011	2	Caliper, Brake - Left Front and Rear (inc. 7-16)	20	8476-625	2	Screw, Machine
7	*	3	● Housing, Caliper	21	8408-825	6	Screw, Cap
8	0402-164	3	● O-Ring	22	0123-269	1	Clamp, Cable
9	0117-868	3	● Pin, Cotter	23	8476-612	1	Screw, Machine
10	0402-142	3	● Pin, Brake Caliper	24	0624-250	1	Nut
11	0402-143	3	● Cap, Bleed Valve	25	0402-306	1	Switch, Brake Pressure (4X4)

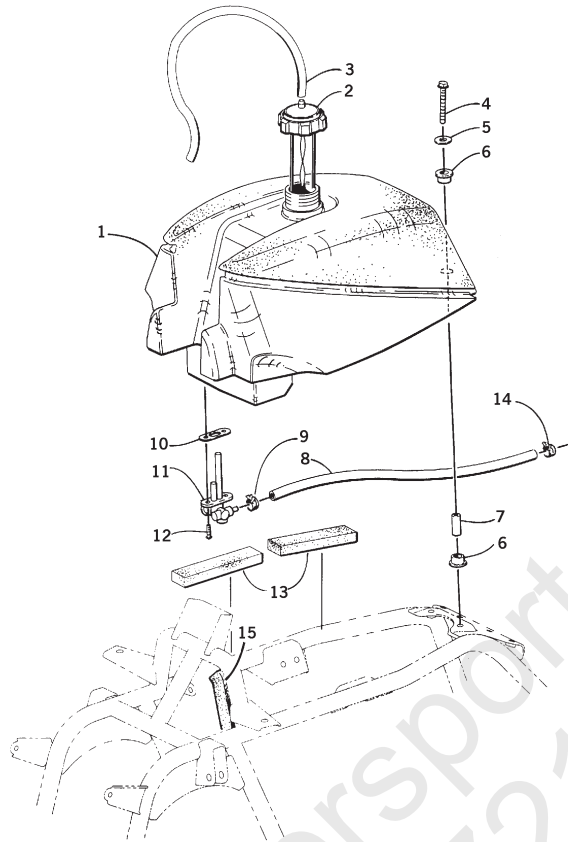


## HYDRAULIC BRAKE ASSEMBLY

(Vehicle Identification Number H7YT308776 And Up)

0735-441 \*Not a Service Part

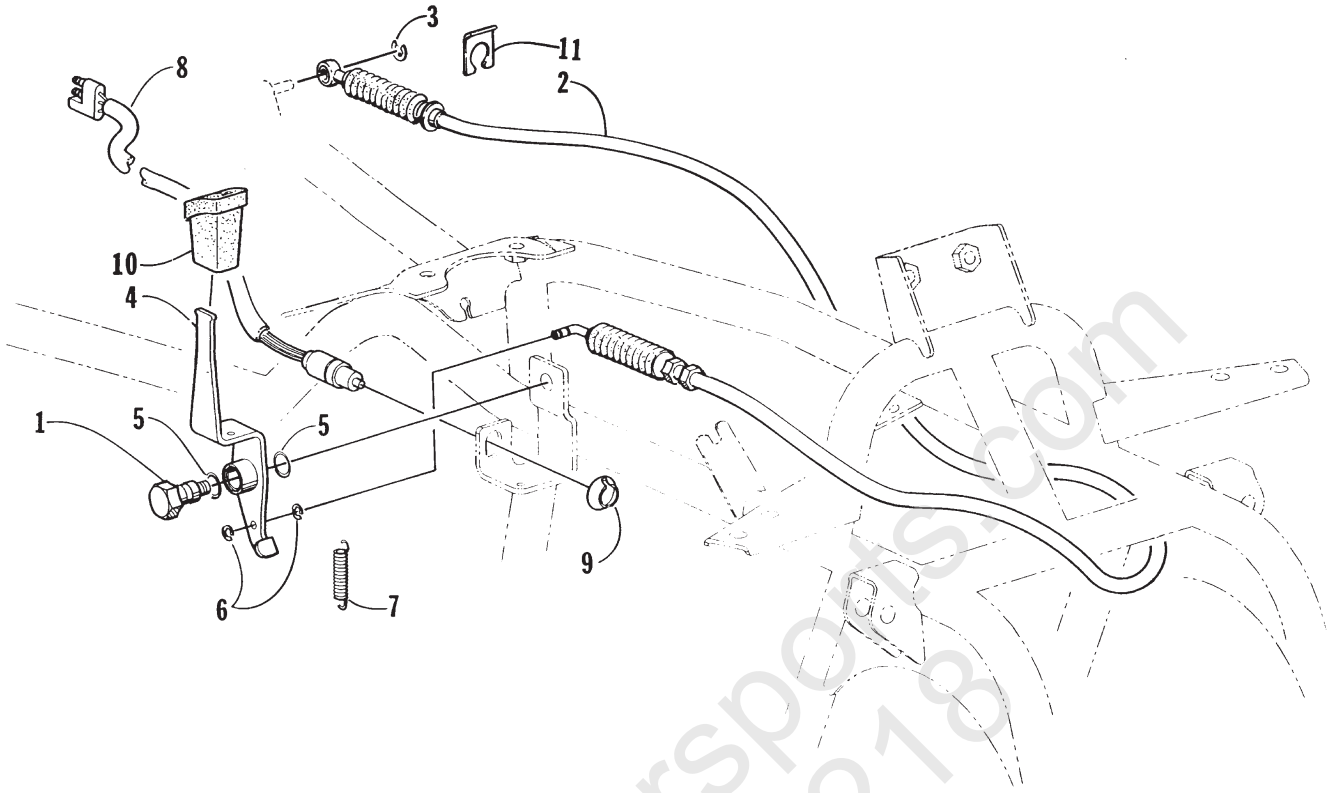
Ref.	Part No.	Qty.	Description	Ref.	Part No.	Qty.	Description
1	0402-053	1	Tube, Brake Line - Front (2X4)	12	0402-494	6	● Pad, Brake
	0402-373	1	Tube, Brake Line - Front (4X4)	13	0402-491	3	● Valve, Bleed
2	0402-051	1	Hose, Brake - Front (2X4)	14	0402-487	6	● O-Ring, Brake Caliper
	0402-307	1	Hose, Brake - Front (4X4)	15	0402-492	6	● Screw, Socket Head
3	0402-073	2	Block, Mounting	16	0402-254	1	Hose, Brake - Rear
4	0423-038	3	Bolt, Oil	17	0402-115	1	Clip, Brake Line
5	0423-039	6	Washer, Crush	18	0402-170	1	Tube, Brake Line - Rear
6	0402-488	1	Caliper, Brake - Right Front (inc. 7-15 and 26)	19	8476-625	2	Screw, Machine
	0402-489	2	Caliper, Brake - Left Front and Rear (inc. 7-15 and 26)	20	8408-825	6	Screw, Cap
7	*	3	● Housing, Caliper	21	8408-820	2	Screw, Cap
8	0402-490	3	● O-Ring	22	0402-306	1	Switch, Brake Pressure (4X4)
9	0402-496	3	● Pin, Cotter	23	0123-269	1	Clamp, Cable
10	0402-495	3	● Pin, Brake Caliper	24	8476-612	1	Screw, Machine
11	0402-493	3	● Cap, Bleed Valve	25	0624-250	1	Nut
				26	*	1	Housing, Caliper



## FUEL TANK ASSEMBLY

0735-439

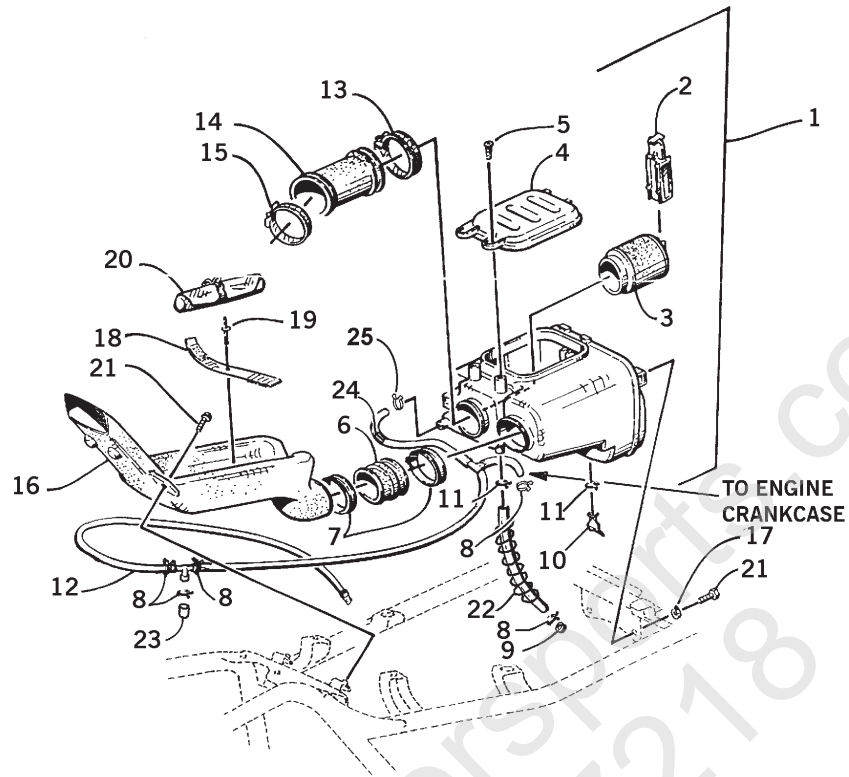
Ref.	Part No.	Qty.	Description	Ref.	Part No.	Qty.	Description
1	0570-028	1	Tank, Fuel (inc. 2-3 and 6-12) (250)	8	0610-007	AR	Hose, Fuel
	0570-014	1	Tank, Fuel (inc. 2-3 and 6-12) (300)	9	0423-048	1	Clamp, Hose - Spring
2	0470-368	1	● Cap, Fuel Tank (inc. 3) (250)	10	0470-364	1	Gasket, Fuel Shut-Off Valve
	0470-369	1	● Cap, Fuel Tank (inc. 3) (300)	11	0470-365	1	Valve, Fuel Shut-Off (inc. 10)
3	0470-316	1	●● Hose, Fuel Cap Vent	12	8471-616	2	Screw, Machine
4	8476-650	2	Screw, Cap	13	0417-001	4	Pad, Fuel Tank
5	0623-184	2	Washer	14	0423-152	1	Clamp, Hose
6	0406-169	4	Bushing, Fuel Tank Mount	15	0406-389	2	Pad, Fuel Tank - Front
7	0406-170	2	Collar, Fuel Tank Mount				



## REVERSE SHIFT LEVER ASSEMBLY

0733-716

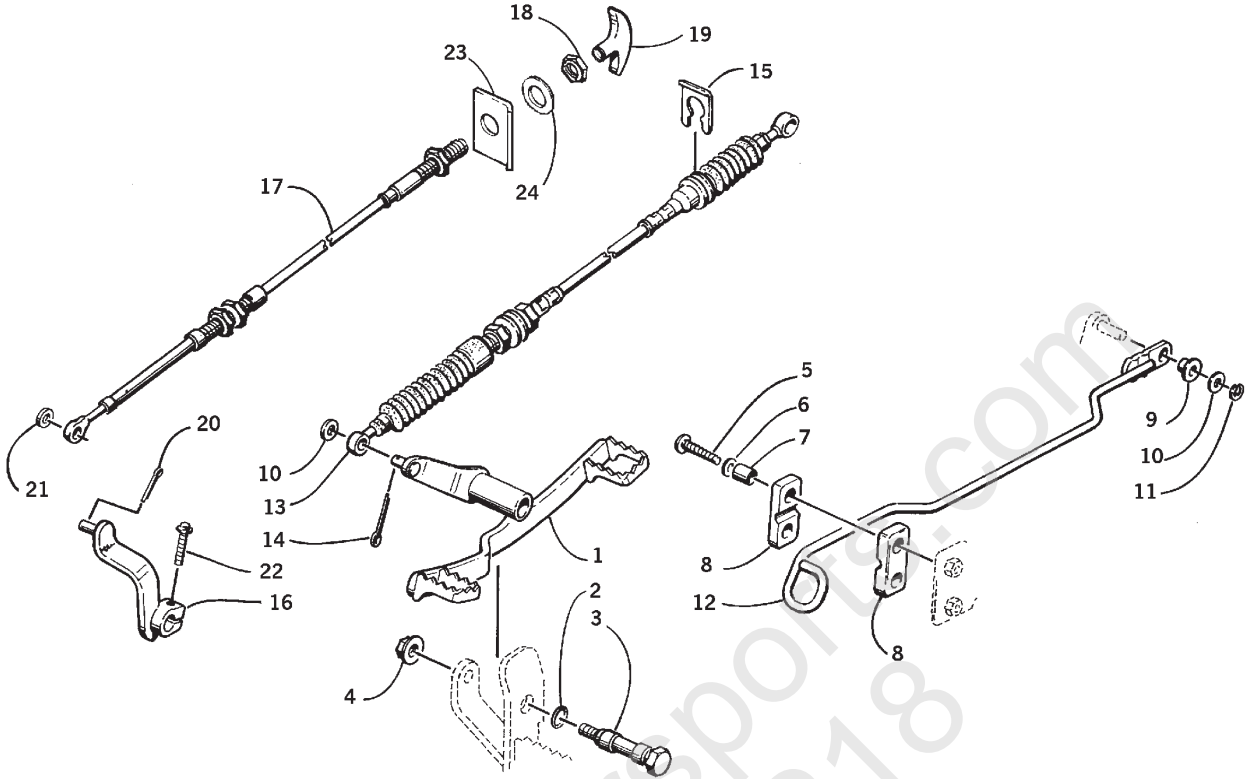
Ref.	Part No.	Qty.	Description	Ref.	Part No.	Qty.	Description
1	0402-239	1	Axle, Reverse Shift	7	0402-136	1	Spring, Reverse Lever
2	0487-009	1	Cable, Shift	8	0409-008	1	Reverse Switch
3	3423-168	1	E-Ring	9	0402-168	1	Retainer, Switch
4	0502-059	1	Lever, Reverse	10	0402-062	1	Handle, Reverse Shift Lever
5	0423-096	2	O-Ring	11	3423-282	1	Clip, Cable
6	0423-063	2	E-Ring				



## AIR INTAKE ASSEMBLY

0735-424

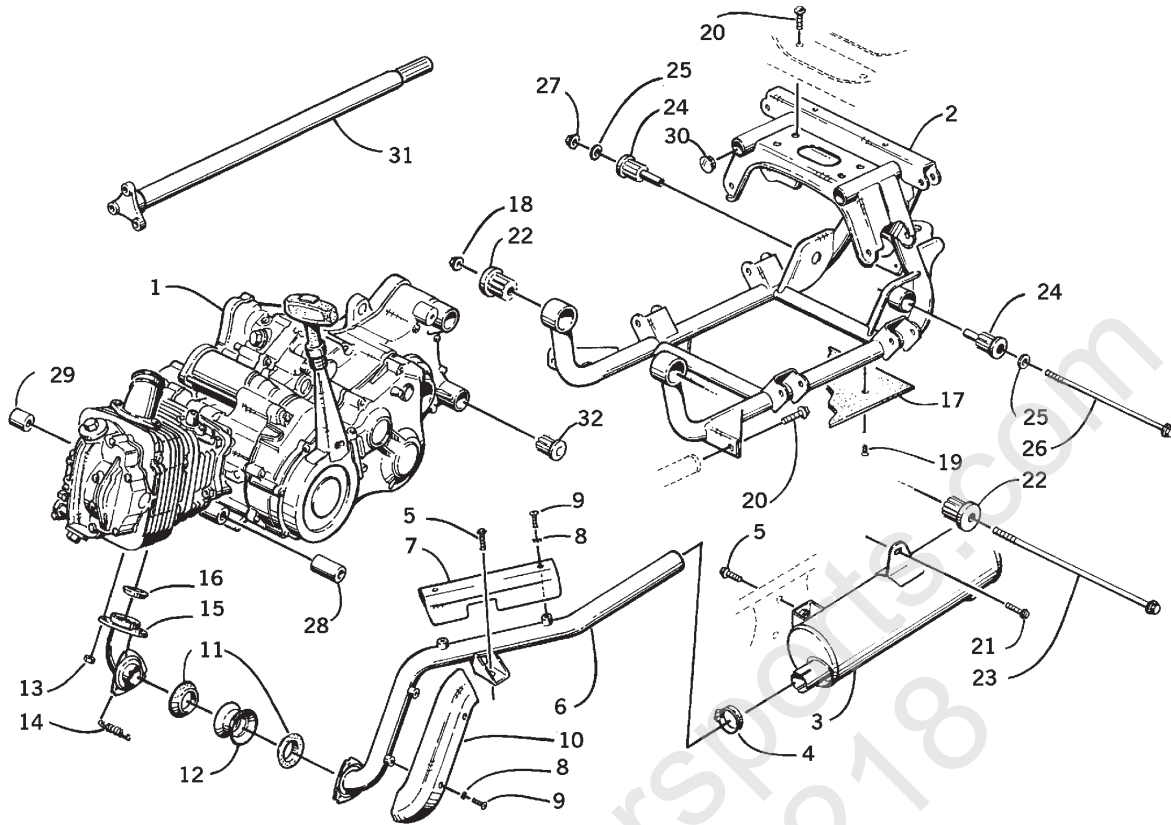
Ref. Part No.	Qty.	Description	Ref. Part No.	Qty.	Description		
1	3570-001	1	Intake, Air - Assembly (inc. 2-5)	13	3402-236	1	Clamp
2	3402-330	1	• Slider, Retainer - Filter	14	0470-347	1	Boot, Air Cleaner
3	0470-355	1	• Filter, Air Cleaner	15	3402-235	1	Clamp
	0470-356	1	• Sleeve, Filter	16	0570-019	1	Snorkel, Air Intake
4	3402-331	1	• Cap	17	8053-212	1	Washer, Lock - External Tooth
5	8477-610	2	• Screw, Cap	18	0406-379	1	Strap, Tool Kit
6	3423-329	1	Joint	19	0423-046	1	Rivet, Plastic
7	3423-311	2	Clamp	20	0444-079	1	Kit, Tool
8	3423-313	6	Clip	21	8476-616	5	Screw, Cap
9	0423-127	1	Plug, Drain	22	0423-128	1	Spring, Vent Tube
10	0470-349	1	Valve, Air Cleaner	23	3402-334	1	Plug, Breather
11	0423-047	2	Clamp	24	3470-002	1	Valve, Check
12	3470-004	1	Tube, Crankcase Breather				



### SHIFTER ASSEMBLY

0735-425

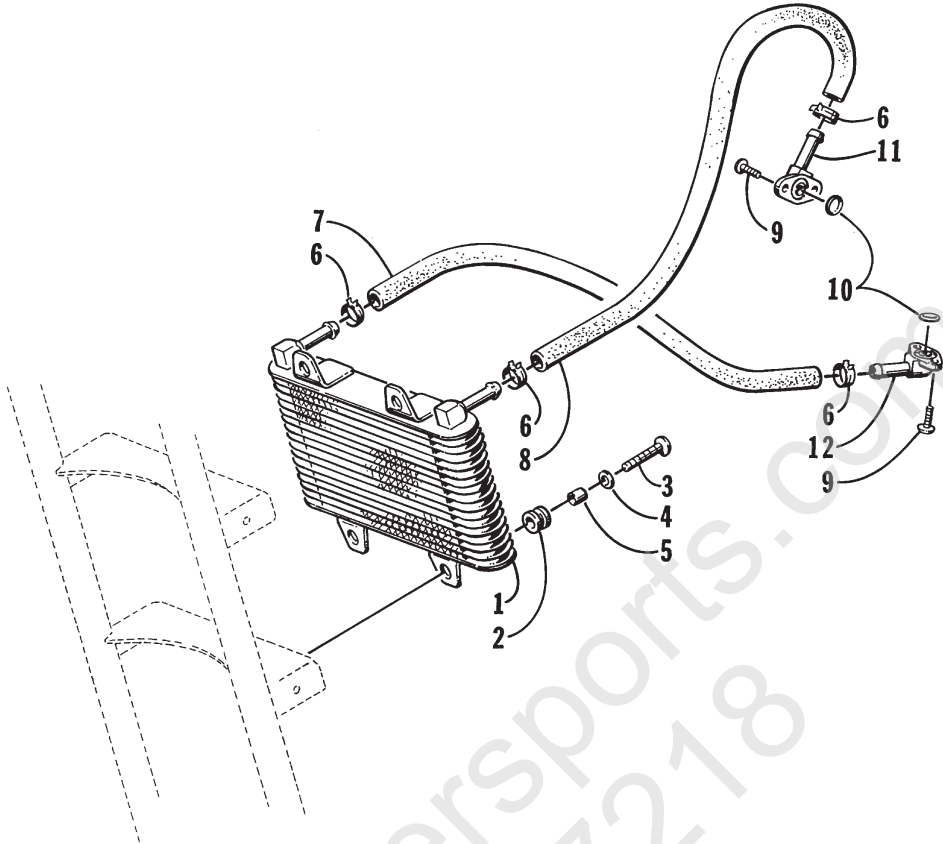
Ref.	Part No.	Qty.	Description	Ref.	Part No.	Qty.	Description
1	0502-114	1	Lever, Footshift	13	3487-001	1	Cable, Lever
2	0423-096	2	O-Ring	14	0623-175	1	Pin, Cotter
3	0402-370	1	Axle, Lever	15	3423-282	1	Clip, Cable
4	8422-002	1	Nut	16	0502-064	1	Arm, 2x4/4x4 - Shift (4X4)
5	8476-630	2	Screw, Cap	17	0487-012	1	Cable, 2x4/4x4 - Shift (4X4)
6	8050-222	2	Washer	18	0423-099	1	Nut
7	0402-256	2	Collar, High/Low Shift	19	0487-014	1	Handle
8	0406-363	2	Bushing, High/Low Shift	20	0117-868	1	Pin, Cotter
9	0423-091	1	Bushing, Linkage	21	0423-052	1	Collar, Body
10	8050-242	2	Washer	22	8476-620	1	Screw, Cap (4X4)
11	3423-168	1	E-Ring, Linkage	23	0402-274	1	Plate, Backing (4X4)
12	0502-062	1	Linkage, High/Low	24	8050-307	1	Washer (4X4)



## ENGINE AND RELATED PARTS

0735-426

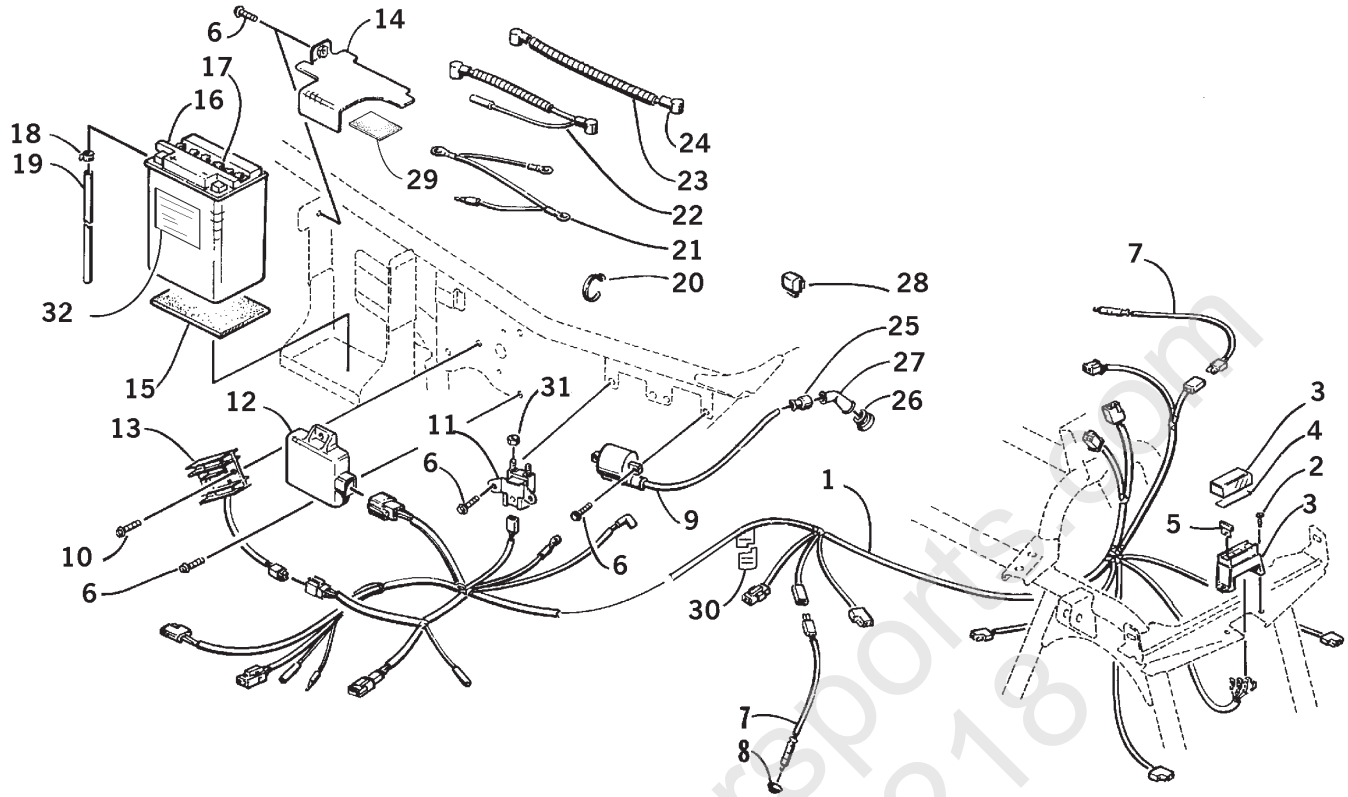
Ref.	Part No.	Qty.	Description	Ref.	Part No.	Qty.	Description
1	0462-012	1	Engine (250)	15	0512-008	1	Pipe, Header
	0462-005	1	Engine (300 2X4)	16	3402-300	1	Seal, Exhaust Pipe
	0462-009	1	Engine (300 4X4)	17	0406-344	1	Panel, Belly - Sub-Frame (300)
2	0506-301	1	Sub-Frame	18	8422-202	1	Nut
3	0512-006	1	Muffler (250)	19	0423-101	6	Screw, Body
	0512-011	1	Muffler (300)	20	8409-020	6	Screw, Cap
4	0423-092	1	Clamp, Exhaust	21	8408-816	1	Screw, Cap
5	8408-812	3	Screw, Cap	22	3402-264	2	Mount, Engine
6	0512-004	1	Pipe, Exhaust (250)	23	3423-236	1	Screw, Cap
	0512-014	1	Pipe, Exhaust (300)	24	3402-263	4	Mount, Engine
7	0412-024	1	Cover, Exhaust - Rear	25	8050-272	4	Washer
8	8053-211	4	Washer, Lock	26	3423-235	2	Screw, Cap
9	8477-610	4	Screw, Cap	27	8422-002	2	Nut
10	0412-023	1	Cover, Exhaust	28	0402-231	1	Spacer, Engine Mount - Long
11	0612-887	2	Gasket, Exhaust	29	0402-232	1	Spacer, Engine Mount - Short
12	0412-031	1	Coupler, Exhaust	30	0406-320	2	Cap, Sub-Frame
13	8424-802	2	Nut	31	0502-066	1	Driveshaft (4x4)
14	0123-321	3	Spring, Extension	32	3402-263	4	Bushing, Engine Mount



### OIL COOLER ASSEMBLY

0733-727

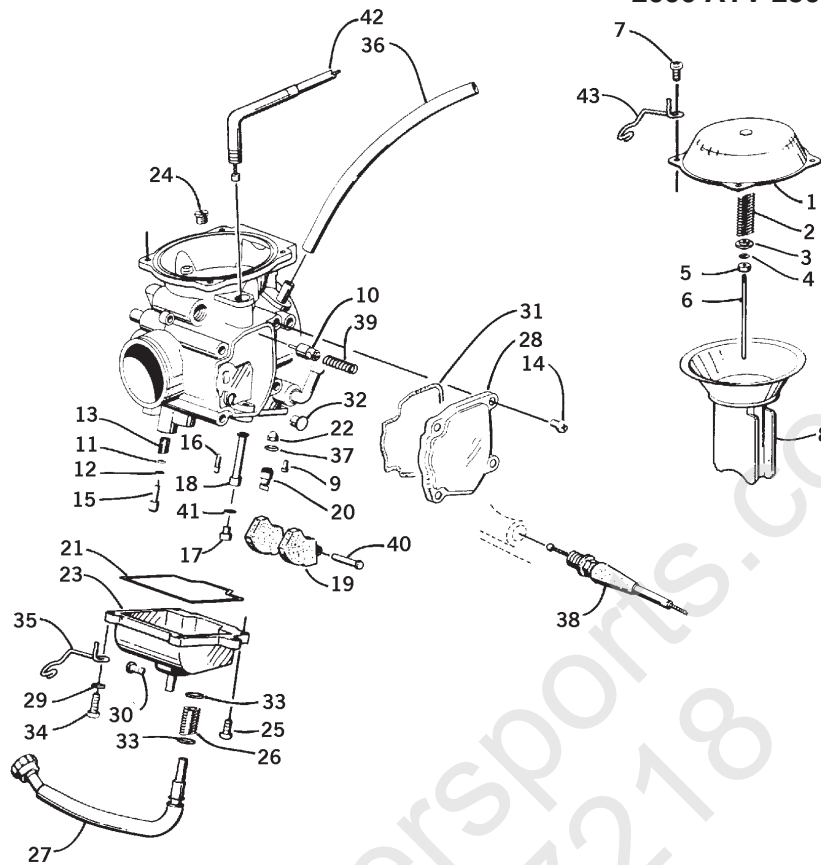
Ref.	Part No.	Qty.	Description	Ref.	Part No.	Qty.	Description
1	0413-011	1	Cooler, Oil	7	0410-006	1	Hose, Oil - Output
2	0423-086	4	Grommet	8	0410-007	1	Hose, Oil - Input
3	8476-620	4	Screw, Cap	9	8471-616	4	Screw, Cap
4	8050-217	4	Washer	10	0423-089	2	O-Ring, Oil Fitting
5	0423-036	4	Collar	11	0410-012	1	Fitting, Oil - Angled
6	0423-098	4	Clamp, Hose	12	0410-013	1	Fitting, Oil



## ELECTRICAL COMPONENTS

0735-427

Ref.	Part No.	Qty.	Description	Ref.	Part No.	Qty.	Description
1	0486-027	1	Harness, Main (250)	12	3530-024	1	CDI Unit (250)
	0486-025	1	Harness, Main (300 2X4)		3530-011	1	CDI Unit (300)
	0486-033	1	Harness, Main (300 4X4)	13	3530-014	1	Regulator, Voltage
	0486-049	1	Harness, Main (250)	14	0506-254	1	Bracket, Battery
			(Vehicle Identification No. J6YT310330 And Up)	15	0406-380	1	Pad, Battery
	0486-046	1	Harness, Main (300 2X4)	16	0645-063	1	Battery (inc. 17-19)
			(Vehicle Identification No. J6YT310330 And Up)	17	0645-045	6	• Cap, Battery
	0486-044	1	Harness, Main (300 4X4)	18	0645-152	1	• Clamp, Hose
			(Vehicle Identification No. J6YT310330 And Up)	19	0645-263	1	• Hose, Battery Vent
2	0623-361	2	Screw, Self-Tapping	20	0123-788	AR	Cable Tie - 7 in.
3	0530-003	1	Fuse Box Assembly	21	0445-010	1	Cable, Battery - Ground
4	0411-084	1	Decal, Fuse Box	22	0445-011	1	Cable, Battery - Relay
5	0630-057	4	Fuse, 10 AMP	23	0445-012	1	Cable, Battery - Starter
6	8476-616	8	Screw, Cap	24	0645-019	4	Bolt, Terminal - Battery
7	0409-009	2	Switch, Brake	25	3430-009	1	Seal, High Tension Wire
8	0402-168	1	Retainer, Switch	26	3430-026	1	Seal, Spark Plug
9	3530-025	1	Coil, Ignition (250)	27	3430-007	1	Cap, Spark Plug
	3530-012	1	Coil, Ignition (300)	28	3530-008	1	Relay, Neutral Start
10	8476-620	2	Screw, Cap	29	0417-003	1	Foam, Battery Bracket
11	3530-013	1	Relay, Starter	30	0486-029	1	Diode (Start in Gear)
				31	0624-250	2	Nut, Starter Relay
				32	0645-151	1	Label, Warning - Battery

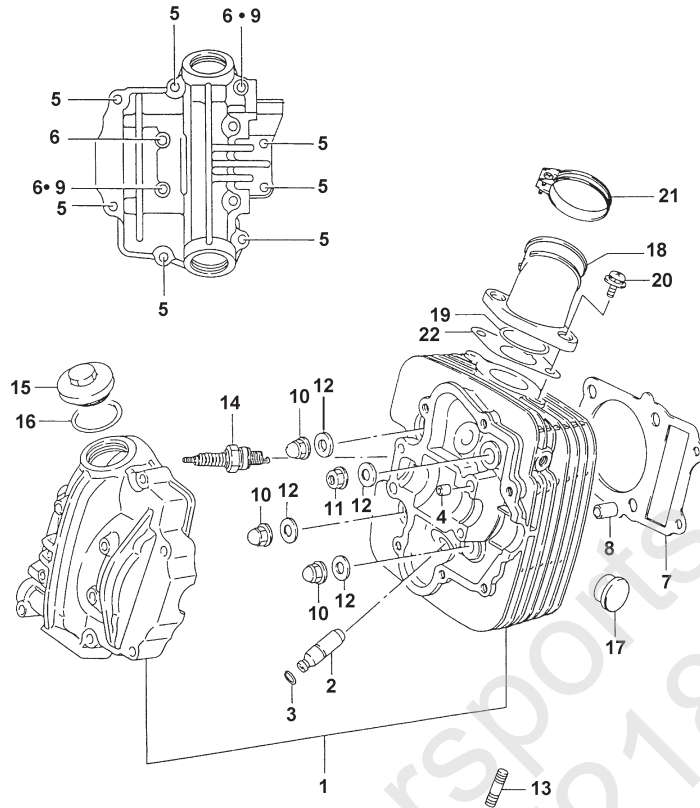


# CARBURETOR

(Complete Assembly p/n 0470-367 250; p/n 0470-348 300)

0735-474 \*California Models Only

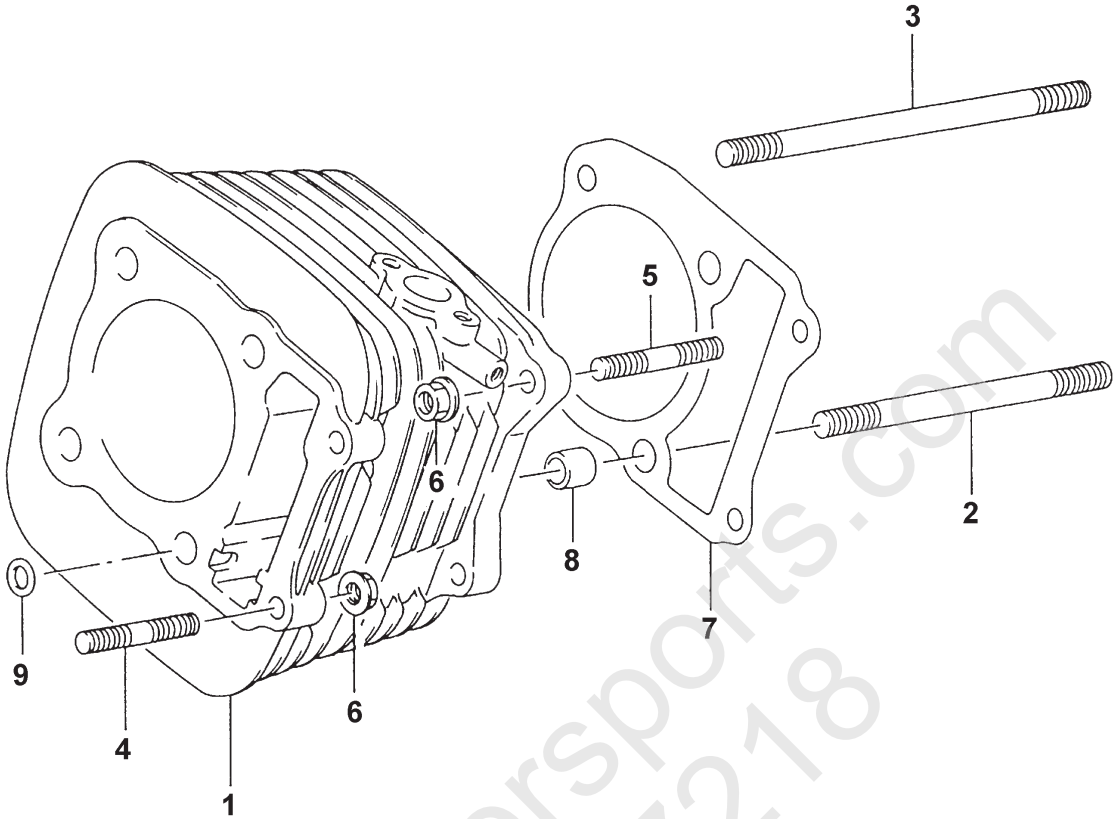
Ref.	Part No.	Qty.	Description	Ref.	Part No.	Qty.	Description
1	4505-069	1	Cover - Assembly	21	4505-044	1	O-Ring, Float Chamber
2	4505-002	1	Spring	22	4505-045	1	Filter
3	4505-003	1	Ring	23	4505-023	1	Chamber, Float
4	4505-004	1	E-Clip	24	4505-024	1	Jet, Pilot - Air
5	4505-005	1	Ring	25	4505-025	3	Screw
6	4505-061	1	Jet Needle J8-4D28-3	26	4505-026	1	Spring
7	4505-007	4	Screw	27	4505-062	1	Adjuster, Cable - Assembly
8	4505-058	1	Diaphragm	28	4505-028	1	Cover
9	4505-009	1	Screw	29	4505-029	1	Washer
10	4505-067	1	Plunger Assembly	30	4505-030	1	Screw
11	4505-011	1	O-Ring	31	4505-031	1	O-Ring, Cover
12	4505-012	1	Washer	32	4505-032	1	Guide, Cable
13	4505-013	1	Spring	33	4505-033	2	Washer
14	4505-014	4	Screw	34	4505-042	1	Screw
15	4505-016	1	Screw, Pilot	35	4505-065	1	Clip
16	4505-059	1	Jet, Pilot 45	36	4505-064	2	Hose
17	4505-071	1	Jet, Main 130 (250)	37	6505-875	1	O-Ring
	4505-060	1	Jet, Main 137.5 (300)	38	0487-008	1	Cable, Choke
	4505-019	1	Jet, Main 142.5*	39	4505-039	1	Spring
18	4505-057	1	Needle Jet P-8M	40	4505-040	1	Pin
	4505-099	1	Needle Jet P-6M	41	6505-006	1	Washer
19	4505-021	1	Float Assembly	42	0487-007	1	Cable, Throttle
20	4505-022	1	Seat, Valve 2.0	43	4505-063	1	Clip



## CYLINDER HEAD ASSEMBLY

0733-743

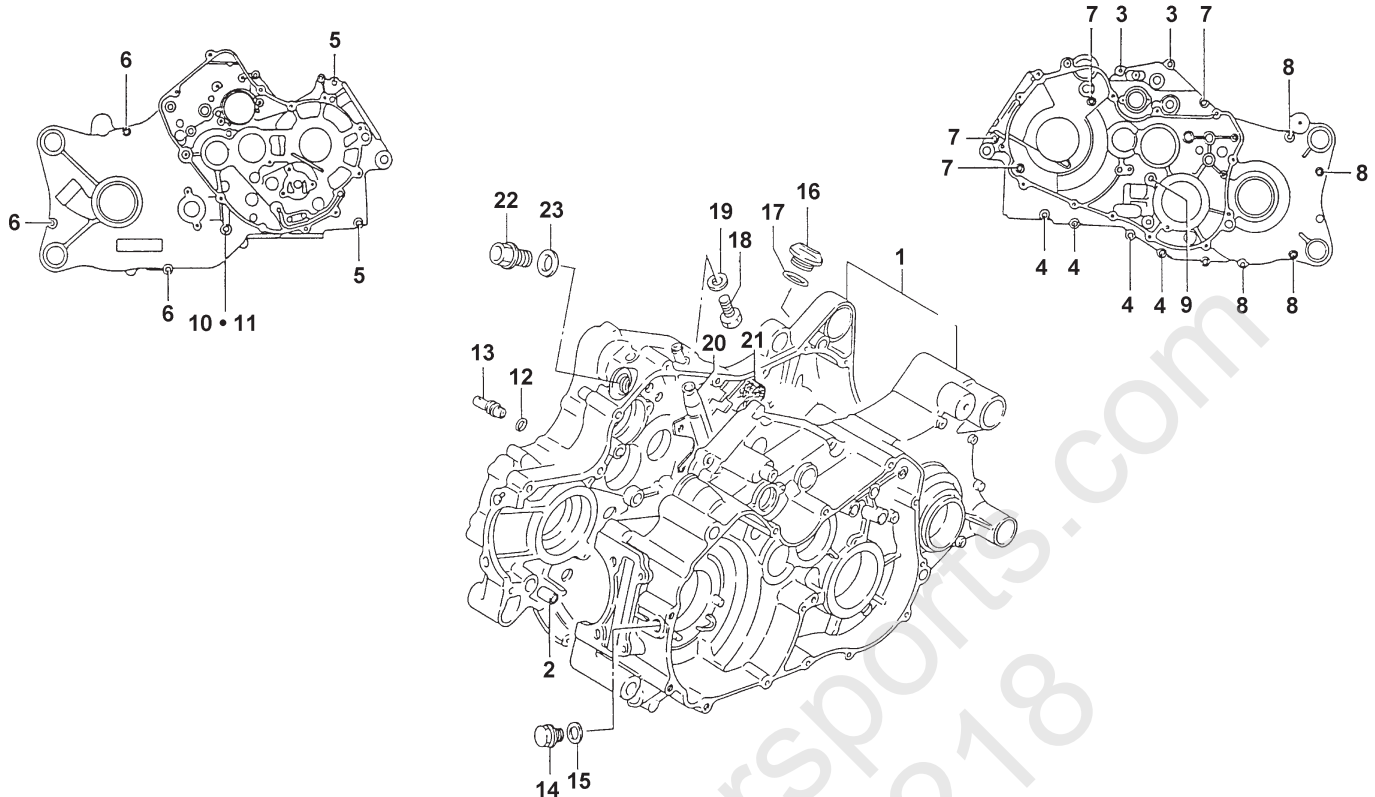
Ref.	Part No.	Qty.	Description	Ref.	Part No.	Qty.	Description
1	3402-407	1	Head, Cylinder - Assembly (inc. 2-6) (250)	11	3004-326	1	Nut
	3402-246	1	Head, Cylinder - Assembly (inc. 2-6) (300)	12	3005-243	4	Gasket
2	3402-247	2	● Guide, Valve	13	3003-032	2	Bolt, Stud
3	3423-068	2	● Ring, Valve Guide	14	0217-713	1	Spark Plug (NGK DR7EA)
4	3423-043	2	● Pin, Dowel	15	3402-249	2	Cap, Inspection
5	3004-426	7	● Screw, Cap	16	3423-275	2	O-Ring
6	3423-304	3	● Screw, Cap	17	3402-213	1	Plug, Head
7	3402-408	1	Gasket, Cylinder Head (250)	18	3402-297	1	Pipe, Intake
	3402-248	1	Gasket, Cylinder Head (300)	19	3423-276	1	O-Ring
8	3004-822	2	Pin, Dowel	20	3423-305	2	Screw, Cap
9	3003-290	2	Gasket	21	3402-086	1	Clamp
10	3423-257	3	Nut	22	3402-298	1	Gasket, Intake Pipe



**CYLINDER ASSEMBLY**

0733-744

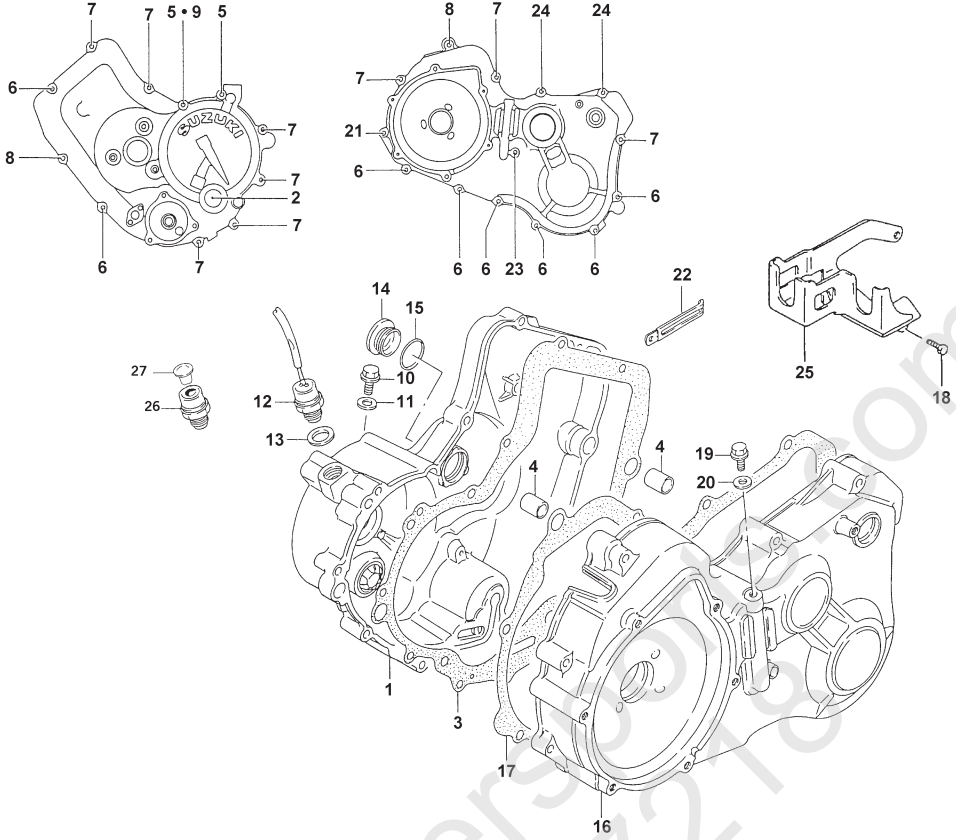
Ref.	Part No.	Qty.	Description	Ref.	Part No.	Qty.	Description
1	3402-409	1	Cylinder (250)	5	3423-237	2	Bolt, Stud
	3402-251	1	Cylinder (300)	6	3004-488	4	Nut
2	3423-365	2	Bolt, Stud (250)	7	3402-410	1	Gasket, Cylinder (250)
	3423-238	2	Bolt, Stud (300)		3402-252	1	Gasket, Cylinder (300)
3	3423-364	2	Bolt, Stud (250)	8	3423-306	2	Pin, Dowel
	3423-239	2	Bolt, Stud (300)	9	3005-226	1	O-Ring
4	3423-089	2	Bolt, Stud				



## CRANKCASE ASSEMBLY

0733-745

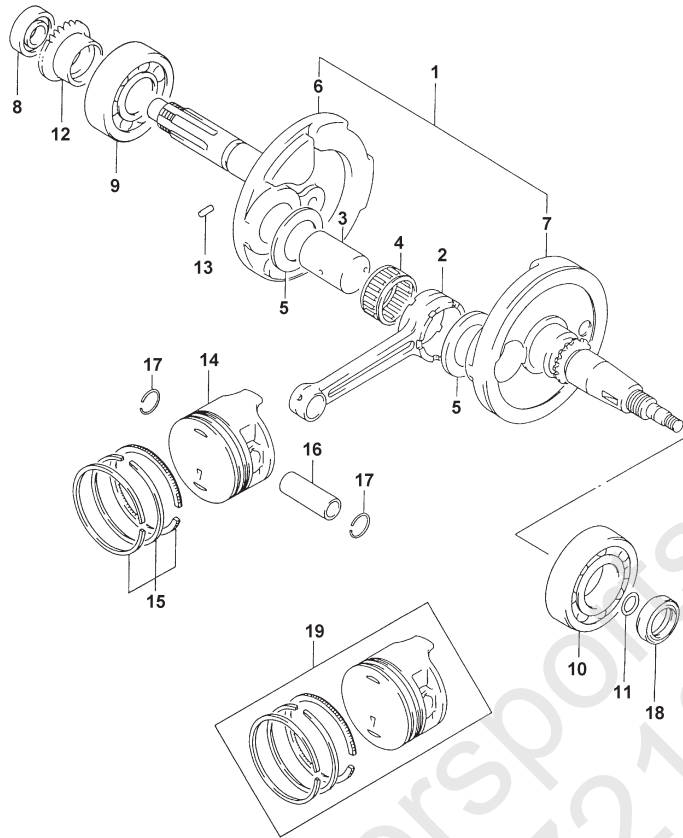
Ref.	Part No.	Qty.	Description	Ref.	Part No.	Qty.	Description
1	3402-411	1	Crankcase Set (inc. 2-13) (250)	13	3402-245	1	• Jet, Oil Gallery
	3402-253	1	Crankcase Set (inc. 2-13) (300 2X4)	14	3402-214	1	Plug
	3402-314	1	Crankcase Set (inc. 2-13) (4X4)	15	3402-012	1	Gasket
2	3423-088	2	• Pin, Dowel	16	3402-212	1	Cap, Oil Filler
3	3423-162	2	• Screw, Cap	17	3423-274	1	O-Ring
4	3423-098	4	• Screw, Cap	18	3402-404	1	Plug, Oil Drain (250)
5	3423-091	2	• Screw, Cap		3402-327	1	Plug, Oil Drain (300)
6	3423-307	3	• Screw, Cap	19	3402-011	1	Gasket
7	3423-308	4	• Screw, Cap	20	3402-413	1	Pipe, Breather (250)
8	3423-094	4	• Screw, Cap		3402-257	1	Pipe, Breather (300)
9	3423-232	1	• Screw, Cap	21	3402-250	1	Separator, Oil Breather
10	3423-234	1	• Screw, Cap	22	3402-258	1	Plug, Reverse Switch Hole
11	3005-243	1	• Gasket	23	3423-271	1	O-Ring
12	3423-051	1	• O-Ring, Oil Gallery Jet				



## CRANKCASE COVER ASSEMBLY

0735-423

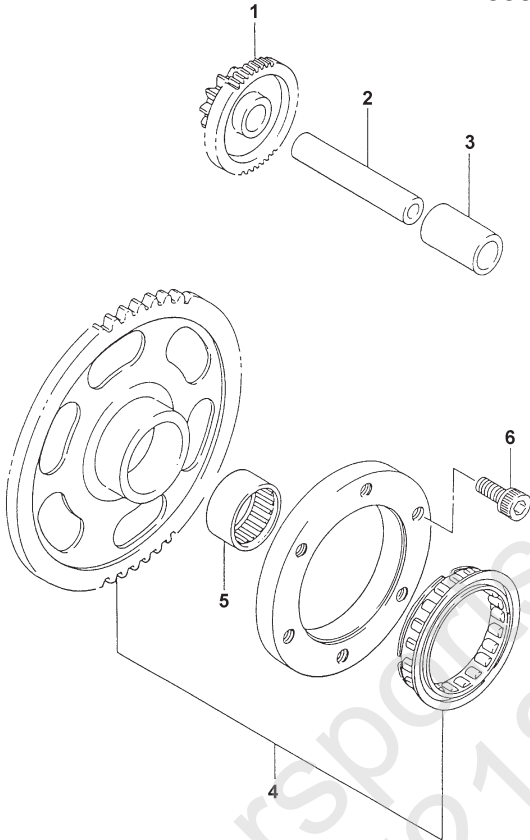
Ref.	Part No.	Qty.	Description	Ref.	Part No.	Qty.	Description
1	3402-254	1	Cover, Clutch (inc. 2)	15	3423-274	1	O-Ring
2	3402-112	1	● Lens, Oil Inspection	16	3402-256	1	Cover, Transfer
3	3402-280	1	Gasket	17	3402-262	1	Gasket, Transfer Cover
4	3423-088	4	Pin, Dowel	18	3423-328	1	Screw, Cap
5	3423-231	2	Screw, Cap	19	3004-339	1	Plug, Oil Gallery
6	0693-327	8	Screw, Cap	20	3003-290	1	Gasket
7	3423-098	9	Screw, Cap	21	3004-756	1	Screw, Cap
8	3423-307	2	Screw, Cap	22	0693-274	2	Clamp, Breather Hose (250)
9	3003-290	1	Gasket		3402-237	2	Clamp, Breather Hose (300)
10	3004-705	2	Plug, Oil Gallery	23	3423-308	1	Screw, Cap
11	3005-242	2	Gasket	24	3423-091	2	Screw, Cap
12	3430-019	1	Switch, Oil Sensor (300)	25	3430-029	1	Bracket, Shift Cable
13	3402-013	1	Gasket (300)	26	3402-041	1	Plug, Oil Gallery
14	3402-215	1	Cap, Clutch Adjust	27	3402-405	1	Cap, Oil Gallery Plug



## CRANKSHAFT ASSEMBLY

0733-747

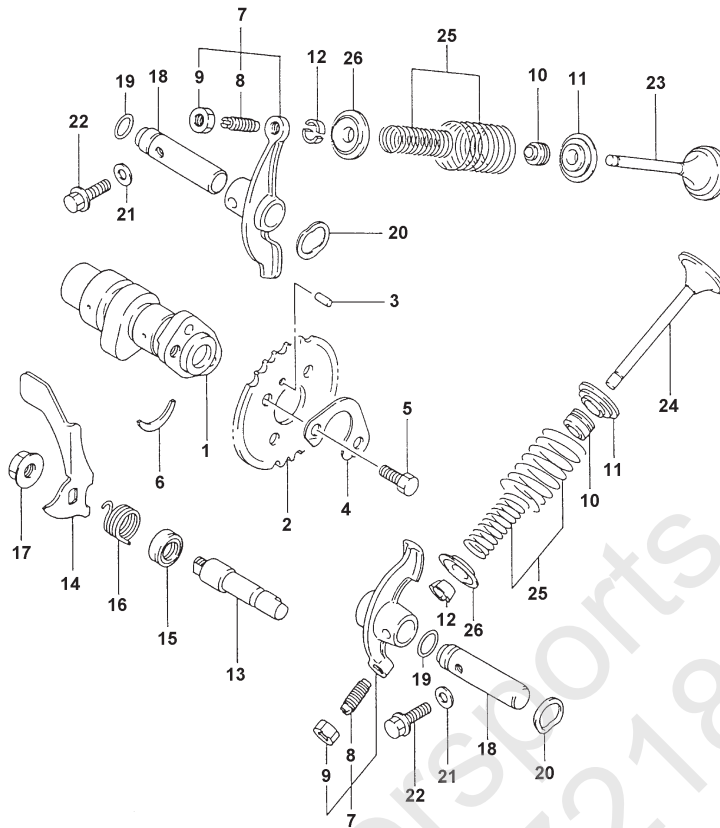
Ref.	Part No.	Qty.	Description	Ref.	Part No.	Qty.	Description
1	3402-419	1	Crankshaft Assembly (inc. 2-7) (250)	14	3402-415	1	Piston (250)
	3402-269	1	Crankshaft Assembly (inc. 2-7) (300)		3402-265	1	Piston (300)
2	3402-418	1	• Rod, Connecting (250)	15	3402-416	1	Ring, Piston - Set (250)
	3402-268	1	• Rod, Connecting (300)		3402-266	1	Ring, Piston - Set (300)
3	3402-422	1	• Pin, Crank (250)		3436-013	1	Ring, Piston - Set (Oversized 0.50 mm) (250)
	3402-270	1	• Pin, Crank (300)		3436-014	1	Ring, Piston - Set (Oversized 1.00 mm) (250)
4	3402-406	1	• Bearing (250)		3436-009	1	Ring, Piston - Set (Oversized 0.50 mm) (300)
	3402-223	1	• Bearing (300)		3436-010	1	Ring, Piston - Set (Oversized 1.00 mm) (300)
5	3005-241	2	• Washer	16	3402-417	1	Pin, Piston (250)
6	3402-420	1	• Crankshaft - Right (250)		3402-267	1	Pin, Piston (300)
	3402-271	1	• Crankshaft - Right (300)	17	3423-366	2	Circlip (250)
7	3402-421	1	• Crankshaft - Left (250)		3423-280	2	Circlip (300)
	3402-272	1	• Crankshaft - Left (300)	18	3402-227	1	Seal, Oil
8	3402-216	1	Bearing - Right	19	3402-423	1	Piston Set (Oversized 0.50 mm) (250)
9	3402-221	1	Bearing - Middle		3402-424	1	Piston Set (Oversized 1.00 mm) (250)
10	3402-180	1	Bearing - Left (250)		3402-306	1	Piston Set (Oversized 0.50 mm) (300)
	3402-055	1	Bearing - Left (300)		3402-307	1	Piston Set (Oversized 1.00 mm) (300)
11	3423-053	1	O-Ring				
12	3402-428	1	Gear, Oil Pump Drive (250)				
	3402-301	1	Gear, Oil Pump Drive (300)				
13	3423-114	1	Pin				



### STARTER CLUTCH ASSEMBLY

0733-748

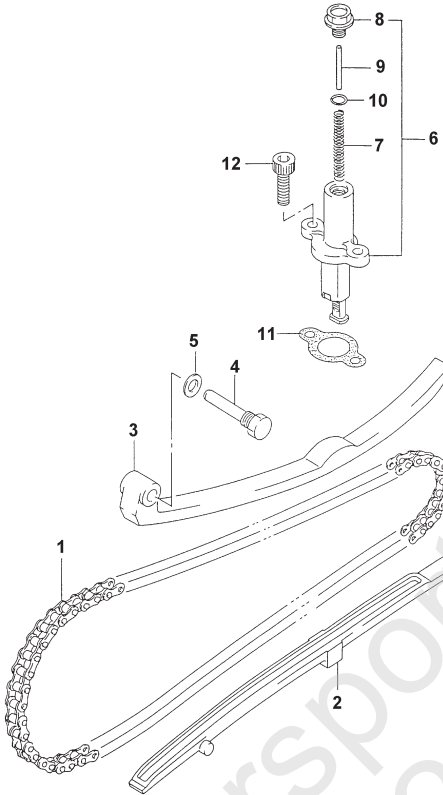
Ref.	Part No.	Qty.	Description	Ref.	Part No.	Qty.	Description
1	3402-274	1	Gear, Starter Idler	4	3402-273	1	Clutch Set, Starter (inc. 5)
2	3423-267	1	Pin	5	3402-222	1	• Bearing
3	3402-145	1	Spacer	6	3423-309	6	Screw, Cap



## CAMSHAFT/VALVE ASSEMBLY

0733-749

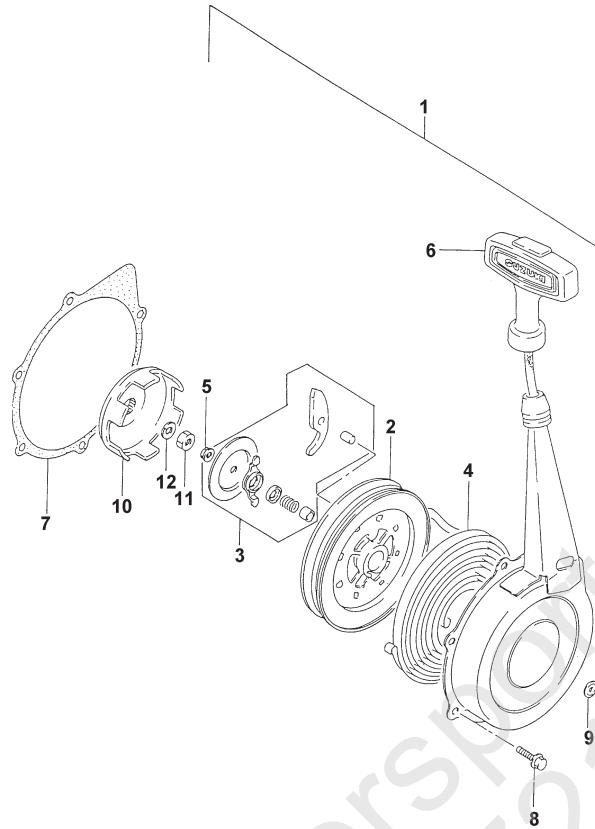
Ref.	Part No.	Qty.	Description	Ref.	Part No.	Qty.	Description
1	3402-397	1	Camshaft (250)	14	3402-296	1	Lever, Decompression
	3402-275	1	Camshaft (300)	15	3402-225	1	Seal, Oil
2	3402-427	1	Sprocket (250)	16	3402-242	1	Spring
	3402-326	1	Sprocket (300)	17	3004-326	1	Nut
3	3423-047	1	Pin	18	3402-289	2	Shaft, Rocker Arm
4	3423-284	1	Washer	19	3423-052	2	O-Ring
5	3423-013	2	Screw	20	3423-259	2	Washer
6	3423-071	1	C-Ring	21	3003-290	2	Gasket
7	3402-288	2	Arm, Valve Rocker (inc. 8-9)	22	3004-376	2	Screw, Cap
8	3423-287	2	• Screw, Cap	23	3402-290	1	Valve, Intake
9	3423-288	2	• Nut	24	3402-291	1	Valve, Exhaust
10	3402-226	2	Seal, Oil	25	3402-401	2	Spring, Valve - Set (250)
11	3402-403	2	Seat, Valve Spring (250)		3402-292	2	Spring, Valve - Set (300)
	3402-294	2	Seat, Valve Spring (300)	26	3402-402	2	Retainer, Spring (250)
12	0693-281	4	Cotter, Valve		3402-293	2	Retainer, Spring (300)
13	3402-295	1	Shaft, Decompression Lever				



### CAM CHAIN ASSEMBLY

0733-750

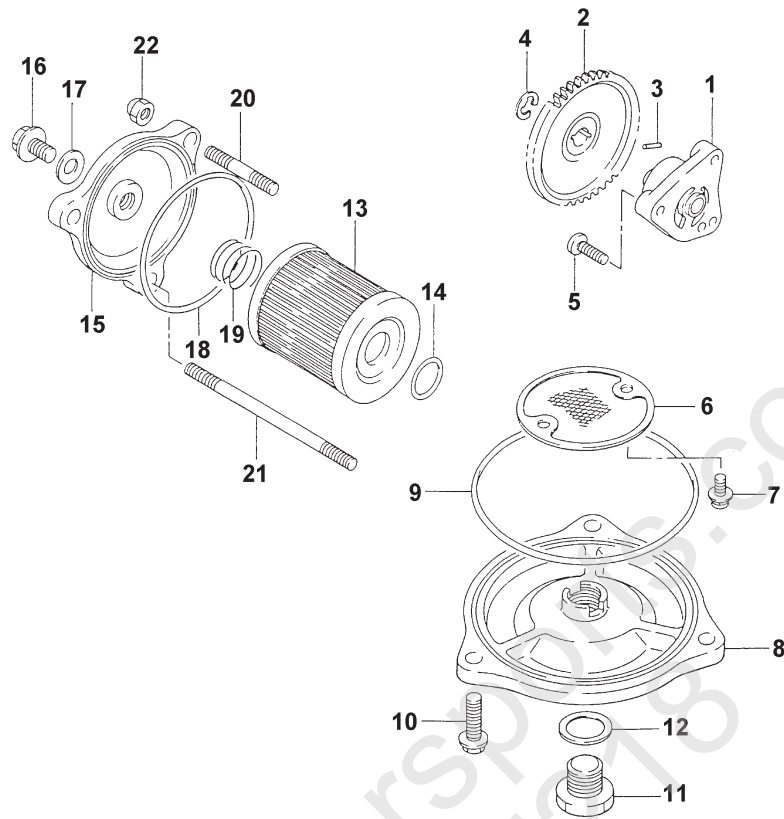
Ref.	Part No.	Qty.	Description	Ref.	Part No.	Qty.	Description
1	3402-398	1	Chain, Camshaft (250)	6	3402-283	1	Adjuster, Tensioner - Assembly (inc. 7-10)
	3402-281	1	Chain, Camshaft (300)	7	3402-284	1	• Spring
2	3402-399	1	Guide, Camshaft Chain (250)	8	3402-285	1	• Plug
	3402-277	1	Guide, Camshaft Chain (300)	9	3402-286	1	• Bar
3	3402-400	1	Tensioner, Camshaft Chain (250)	10	3423-286	1	• O-Ring
	3402-282	1	Tensioner, Camshaft Chain (300)	11	3402-287	1	Gasket, Adjuster
4	3423-074	1	Screw, Cap	12	3004-576	2	Screw, Cap
5	3003-188	1	Washer				



## RECOIL STARTER ASSEMBLY

0733-751

Ref.	Part No.	Qty.	Description	Ref.	Part No.	Qty.	Description
1	3445-018	1	Starter, Recoil - Assembly (inc. 2-6)	7	3445-021	1	Gasket, Recoil
2	3445-019	1	• Reel	8	3423-112	6	Screw, Cap
3	3445-016	1	• Ratchet - Assembly	9	3003-290	1	Gasket
4	3445-007	1	• Spring, Spiral	10	3445-022	1	Cup, Starter
5	3004-488	1	• Nut	11	3004-336	1	Nut
6	3445-020	1	• Rope Assembly	12	3004-362	1	Washer, Lock

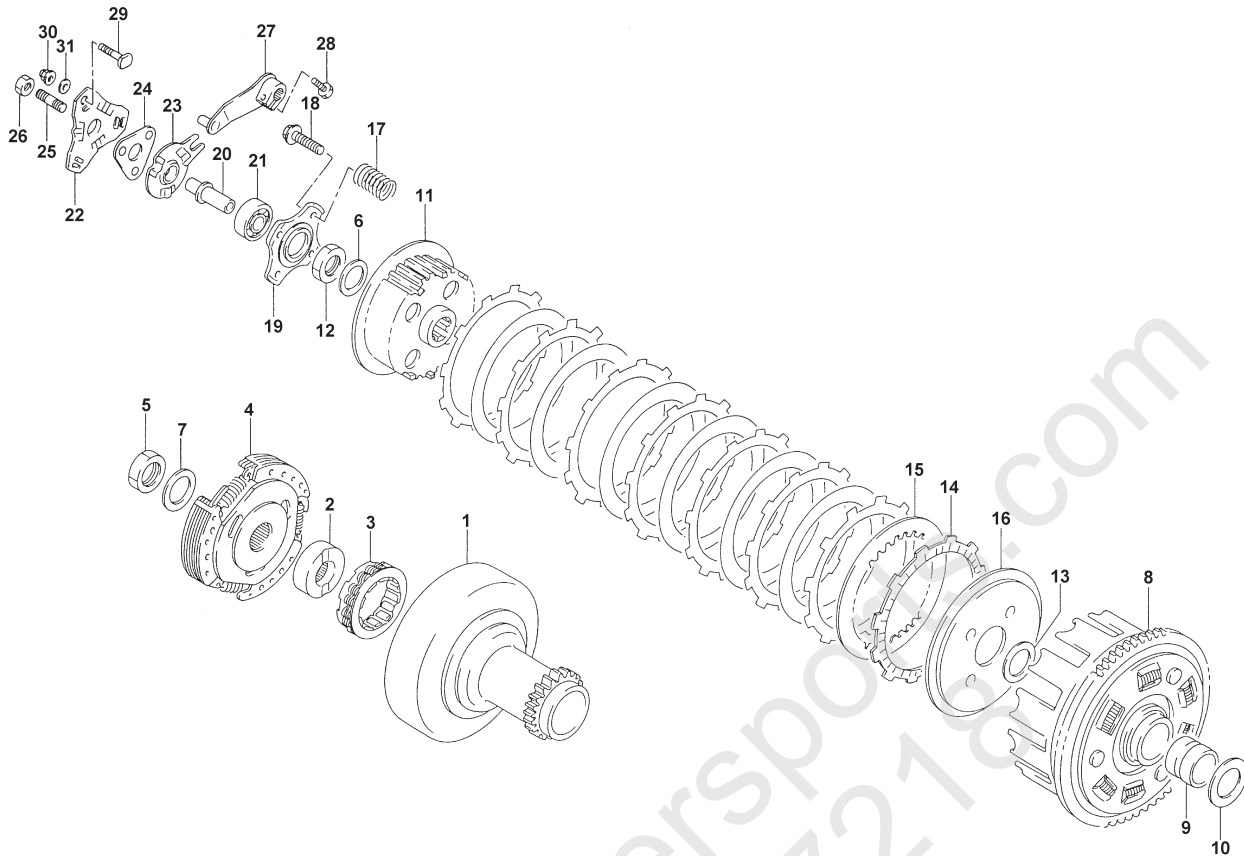


## OIL PUMP ASSEMBLY

0733-752

Ref.	Part No.	Qty.	Description	Ref.	Part No.	Qty.	Description
1	3445-017	1	Pump, Engine Oil	12	3402-012	1	Gasket
2	3402-302	1	Gear, Driven	13	3436-005	1	Filter, Engine Oil
3	3423-285	1	Pin	14	3423-270	1	O-Ring
4	3423-168	1	Circlip	15	3402-303	1	Cap, Oil Filter
5	3004-402	3	Screw, Cap	16	3004-705	1	Plug, Oil Check
6	3402-304	1	Strainer, Engine Oil	17	3005-242	1	Gasket
7	0693-389	2	Screw, Cap	18	3423-277	1	O-Ring
8	3402-305	1	Cap, Oil Strainer	19	3402-238	1	Spring
9	3423-278	1	O-Ring	20	3423-314	2	Bolt, Stud
10	3004-507	3	Screw, Cap	21	3004-543	1	Bolt, Stud
11	3402-037	1	Plug, Drain (250)	22	3423-315	3	Nut
	3402-036	1	Plug, Drain (300)				

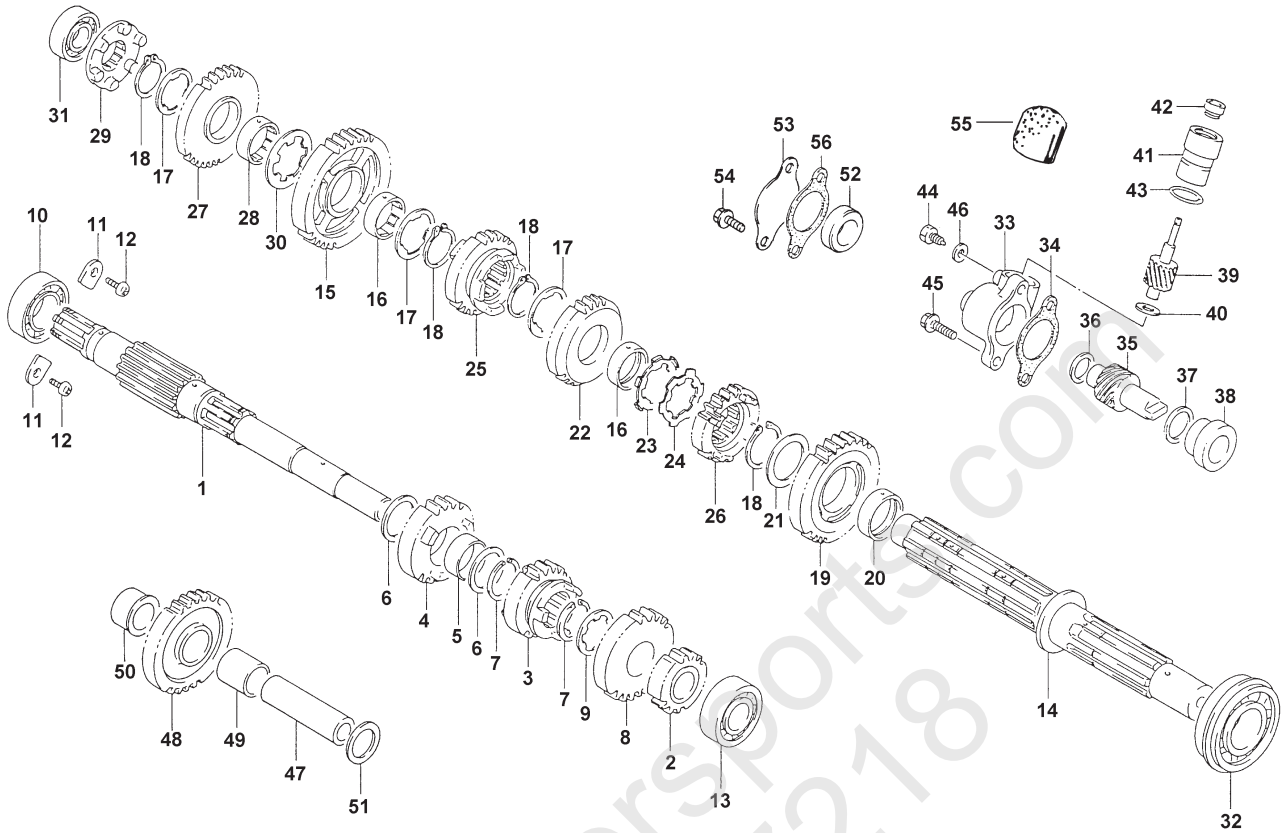
2000 ATV 250 2X4/300 2X4/300 4X4



**CLUTCH ASSEMBLY**

0733-753

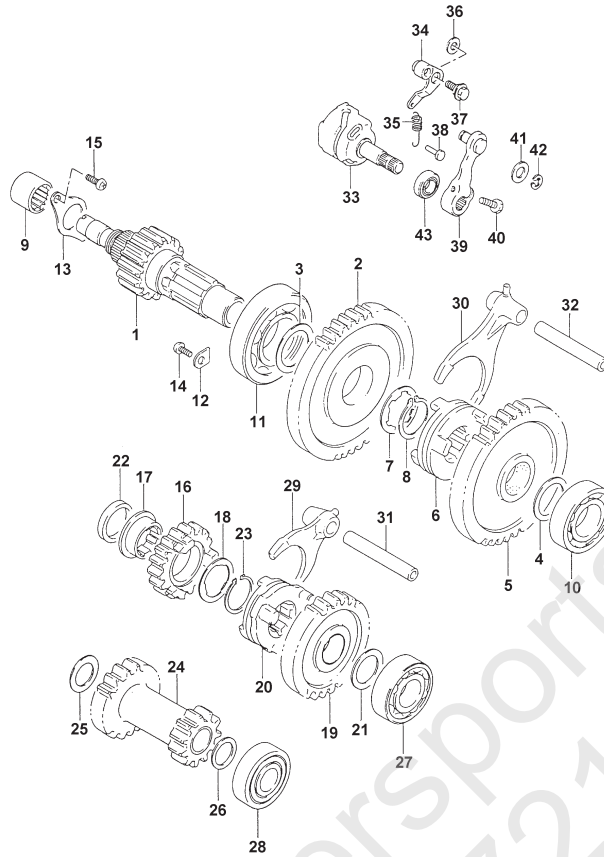
Ref.	Part No.	Qty.	Description	Ref.	Part No.	Qty.	Description
1	3446-253	1	Gear, Primary Drive (250)	15	3446-125	7	Plate, Driven
	3446-120	1	Gear, Primary Drive (300)	16	3446-256	1	Plate, Clutch Pressure (250)
2	3446-129	1	Race, Inner	3446-126	1	Plate, Clutch Pressure (300)	
3	3446-122	1	Clutch, One Way	17	3402-239	4	Spring
4	3446-257	1	Clutch Assembly (250)	18	3004-341	4	Screw, Cap
	3446-128	1	Clutch Assembly (300)	19	3446-127	1	Plate, Release
5	3423-253	1	Nut	20	3446-130	1	Rod, Push
6	3423-032	1	Washer, Lock	21	3402-043	1	Bearing
7	3423-260	1	Washer, Lock	22	3446-133	1	Guide, Ball - Outer
8	3446-254	1	Gear, Primary - Assembly (250)	23	3446-131	1	Guide, Ball - Inner
	3446-121	1	Gear, Primary - Assembly (300)	24	3446-134	1	Ball, Release
9	3402-206	1	Spacer	25	3423-248	1	Screw, Adjuster
10	3402-211	1	Washer	26	3423-022	1	Nut, Adjuster
11	3446-255	1	Hub, Clutch (250)	27	3446-132	1	Arm, Release
	3446-123	1	Hub, Clutch (300)	28	3423-125	1	Screw, Cap
12	3423-254	1	Nut	29	3423-245	3	Screw, Cap
13	3423-316	1	Washer	30	0693-316	3	Nut
14	3446-124	8	Plate, Drive	31	3003-290	3	Seal, Cap Screw



## TRANSMISSION ASSEMBLY

0733-754

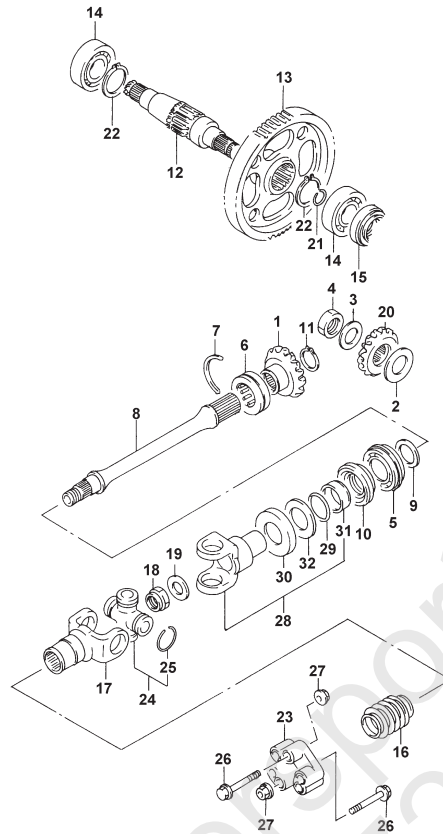
Ref.	Part No.	Qty.	Description	Ref.	Part No.	Qty.	Description
1	3446-135	1	Countershaft	31	3402-218	1	Bearing - Right
2	3446-137	1	Gear, 2nd Drive	32	3402-220	1	Bearing - Middle
3	3446-138	1	Gear, 3rd Drive	33	3446-057	1	Housing, Speedometer Gear (4X4)
4	3446-139	1	Gear, 4th Drive	34	3446-059	1	Gasket (4X4)
5	3402-229	1	Bushing	35	3446-228	1	Gear, Speedometer Drive (4X4)
6	3402-210	2	Washer	36	3423-336	1	Washer - Right (4X4)
7	3423-279	2	Circlip	37	3423-337	1	Washer - Left (4X4)
8	3446-140	1	Gear, 5th Drive	38	3446-114	1	Spacer (4X4)
9	3423-261	1	Washer	39	3446-229	1	Gear, Speedometer Driven (4X4)
10	0691-374	1	Bearing - Right	40	3423-144	1	Washer (4X4)
11	3446-031	2	Retainer	41	3446-058	1	Sleeve (4X4)
12	3004-552	2	Screw	42	3402-077	1	Seal, Oil (4X4)
13	3402-224	1	Bearing - Middle	43	3423-056	1	O-Ring (4X4)
14	3446-136	1	Driveshaft	44	3423-143	1	Screw, Cap (4X4)
15	3446-141	1	Gear, 1st Driven	45	3004-507	2	Screw, Cap (4X4)
16	3446-144	2	Bushing	46	3402-009	1	Washer (4X4)
17	3423-036	3	Washer	47	3446-148	1	Shaft, Reverse Idle
18	3423-066	4	Circlip	48	3446-149	1	Gear, Reverse Idle
19	3446-142	1	Gear, 2nd Driven	49	3402-228	1	Bushing
20	3402-230	1	Bushing	50	3446-150	1	Spacer
21	3423-317	1	Washer	51	3402-209	1	Washer
22	3446-143	1	Gear, 3rd Driven	52	3402-255	1	Plug, Cover Hole (2X4)
23	3423-266	1	Washer, Lock	53	3446-260	1	Retainer, Cover Plug (250)
24	3423-262	1	Washer, Lock		3446-153	1	Retainer, Cover Plug (300 2X4)
25	3446-146	1	Gear, 4th Driven	54	3423-363	2	Bolt, Retainer (250)
26	3446-147	1	Gear, 5th Driven		3423-231	2	Bolt, Retainer (300 2X4)
27	3446-151	1	Gear, Reverse Driven	55	0402-160	1	Cap, Speedometer Drive
28	3446-145	1	Bushing	56	3446-244	1	Gasket, Speedometer Gear (250)
29	3446-152	1	Dog, Reverse		3446-231	1	Gasket, Speedometer Gear (300)
30	3423-263	1	Washer				



## SECONDARY TRANSMISSION ASSEMBLY

0733-755

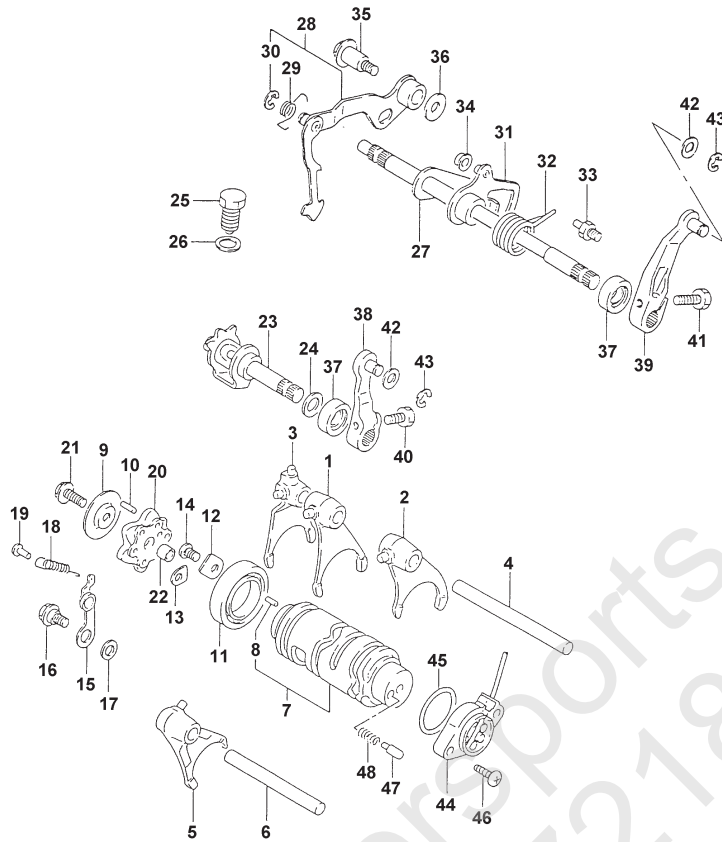
Ref.	Part No.	Qty.	Description	Ref.	Part No.	Qty.	Description
1	3446-179	1	Shaft, Sub-Transmission (2X4)	21	3402-195	1	Washer
	3446-206	1	Shaft, Sub-Transmission (4X4)	22	3402-207	1	Spacer
2	3446-184	1	Gear, Driven (2X4)	23	3423-066	1	Circlip
	3446-207	1	Gear, Driven (4X4)	24	3446-180	1	Gear, Idler
3	3423-338	1	Washer - Right (4X4)	25	3402-205	1	Washer
4	3423-298	1	Washer - Left (4X4)	26	3423-319	1	Washer
5	3446-208	1	Gear, Driven (4X4)	27	3003-261	1	Bearing, Drive - Left
6	3446-209	1	Dog, Driven Gear (4X4)	28	3402-217	1	Bearing, Countershaft - Left
7	3423-317	1	Washer (4X4)	29	3446-185	1	Fork
8	3423-318	1	Circlip	30	3446-210	1	Fork (4X4)
9	3402-278	1	Bearing - Right	31	3446-168	1	Shaft
10	3004-209	1	Bearing - Left	32	3446-230	1	Shaft (4X4)
11	3402-180	1	Bearing - Middle (250)	33	3446-186	1	Cam, Sub-Transmission Gear (2X4)
	3402-055	1	Bearing - Middle (300)		3446-211	1	Cam, Sub-Transmission Gear (4X4)
12	3446-031	2	Retainer	34	3446-187	1	Stopper
13	3446-154	1	Retainer	35	3402-241	1	Spring
14	3004-552	2	Screw	36	3423-141	1	Washer
15	0693-321	2	Screw	37	3423-240	1	Screw, Cap
16	3446-181	1	Gear, Drive	38	3423-268	1	Pin (4X4)
17	3446-259	1	Bushing (250)	39	3446-116	1	Arm
	3446-069	1	Bushing (300)	40	3423-125	1	Screw, Cap
18	3423-036	1	Washer	41	3423-204	1	Washer
19	3446-182	1	Gear, Drive	42	3423-168	1	E-Ring
20	3446-183	1	Dog, Drive Gear	43	3402-076	1	Seal, Oil



## SECONDARY GEAR/OUTPUT SHAFT ASSEMBLY

0733-756

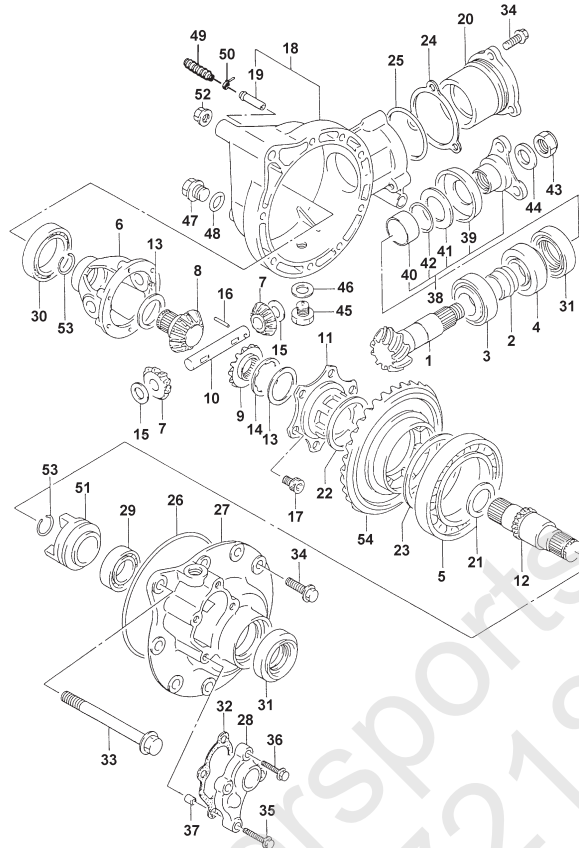
Ref.	Part No.	Qty.	Description	Ref.	Part No.	Qty.	Description
1	3446-197	1	Gear, Secondary Drive Bevel (4x4)	11	3423-340	1	Circlip (4x4)
2	3446-035	1	Shim Set, Secondary Drive Bevel (4x4)	12	3446-176	1	Shaft, Rear Final Driven
3	3423-032	1	Washer (4x4)	13	3446-175	1	Gear, Driven
4	3423-254	1	Nut (4x4)	14	3402-219	2	Bearing
5	3402-067	1	Bearing, Front (4x4)	15	3402-072	2	Seal, Oil
6	3402-062	1	Bearing, Rear (4x4)	16	3435-005	1	Boot (4x4)
7	3423-072	1	Ring (4x4)	17	3435-002	1	Yoke, Output Shaft Joint (4x4)
8	3446-199	1	Shaft, Secondary Output (4x4)	18	3423-025	1	Nut (4x4)
9	3402-308	AR	Shim, 25 x 34 x 0.50 mm (4x4)	19	3423-028	1	Washer (4x4)
	3402-017	AR	Shim, 25 x 34 x 0.60 mm (4x4)	20	3446-198	1	Gear, Secondary Driven Bevel (4x4)
	3402-018	AR	Shim, 25 x 34 x 0.65 mm (4x4)	21	3423-281	2	Ring
	3402-019	AR	Shim, 25 x 34 x 0.70 mm (4x4)	22	3423-321	2	Circlip
	3402-020	AR	Shim, 25 x 34 x 0.75 mm (4x4)	23	3435-007	1	Coupling (4x4)
	3402-021	AR	Shim, 25 x 34 x 0.80 mm (4x4)	24	3435-011	1	Joint, Universal (inc. 25) (4x4)
	3402-022	AR	Shim, 25 x 34 x 0.85 mm (4x4)	25	3423-067	4	• Circlip
	3402-023	AR	Shim, 25 x 34 x 0.90 mm (4x4)	26	3423-182	6	Screw, Cap (4x4)
	3402-024	AR	Shim, 25 x 34 x 0.95 mm (4x4)	27	3004-491	6	Nut (4x4)
	3402-025	AR	Shim, 25 x 34 x 1.00 mm (4x4)	28	3435-001	1	Yoke, Output - Front (inc. 29-32) (4x4)
	3402-028	AR	Shim, 25 x 34 x 1.05 mm (4x4)	29	3423-060	1	• O-Ring
	3402-029	AR	Shim, 25 x 34 x 1.10 mm (4x4)	30	3423-035	1	• Plate
	3402-030	AR	Shim, 25 x 34 x 1.15 mm (4x4)	31	3435-029	1	• Collar
	3402-031	AR	Shim, 25 x 34 x 1.20 mm (4x4)	32	3435-030	1	• Plate, Oil Seal
10	3402-072	1	Seal, Oil				



## GEAR SHIFTING ASSEMBLY

0733-757

Ref.	Part No.	Qty.	Description	Ref.	Part No.	Qty.	Description
1	3446-155	1	Fork, Gear Shifting	26	3402-012	1	Gasket
2	3446-156	1	Fork, Gear Shifting	27	3446-169	1	Shaft, Gear Shifting
3	3446-159	1	Fork, Gear Shifting	28	3446-170	1	Arm, Gear Shifting (inc. 29-30)
4	3446-167	1	Shaft	29	3402-312	1	• Spring
5	3446-157	1	Fork, Gear Shifting	30	3423-368	1	• E-Ring (250)
6	3446-051	1	Shaft		3423-323	1	• E-Ring (300)
7	3446-160	1	Cam, Gear Shifting (inc. 8)	31	3446-171	1	Arm, Link
8	3423-114	1	• Pin	32	3402-094	1	Spring
9	3446-162	1	Retainer, Pin	33	3446-172	1	Stopper, Arm
10	3423-045	6	Pin	34	3402-132	1	Roller
11	3402-051	1	Bearing	35	3423-233	1	Screw, Cap
12	3446-163	1	Retainer	36	3423-324	1	Washer
13	3446-031	1	Retainer	37	3402-076	2	Seal, Oil
14	3004-552	2	Screw, Cap	38	3446-055	1	Arm
15	3446-165	1	Stopper, Cam	39	3446-115	1	Arm, Gear Shifting Cable
16	3423-240	1	Screw, Cap	40	3423-125	1	Screw, Cap
17	3423-141	1	Washer	41	3423-228	1	Screw, Cap
18	3402-240	1	Spring	42	3423-204	2	Washer
19	3423-268	1	Pin	43	3423-168	2	E-Ring
20	3446-166	1	Plate, Stopper	44	3430-032	1	Base, Gear Shift - Assembly
21	3004-376	1	Screw, Cap	45	3423-273	1	O-Ring
22	3005-206	1	Pin	46	3423-325	2	Screw, Cap
23	3446-161	1	Cam, Reverse Shifting	47	3423-044	1	Contact
24	3423-322	1	Washer	48	3402-087	1	Spring
25	3446-164	1	Stopper, Cam				

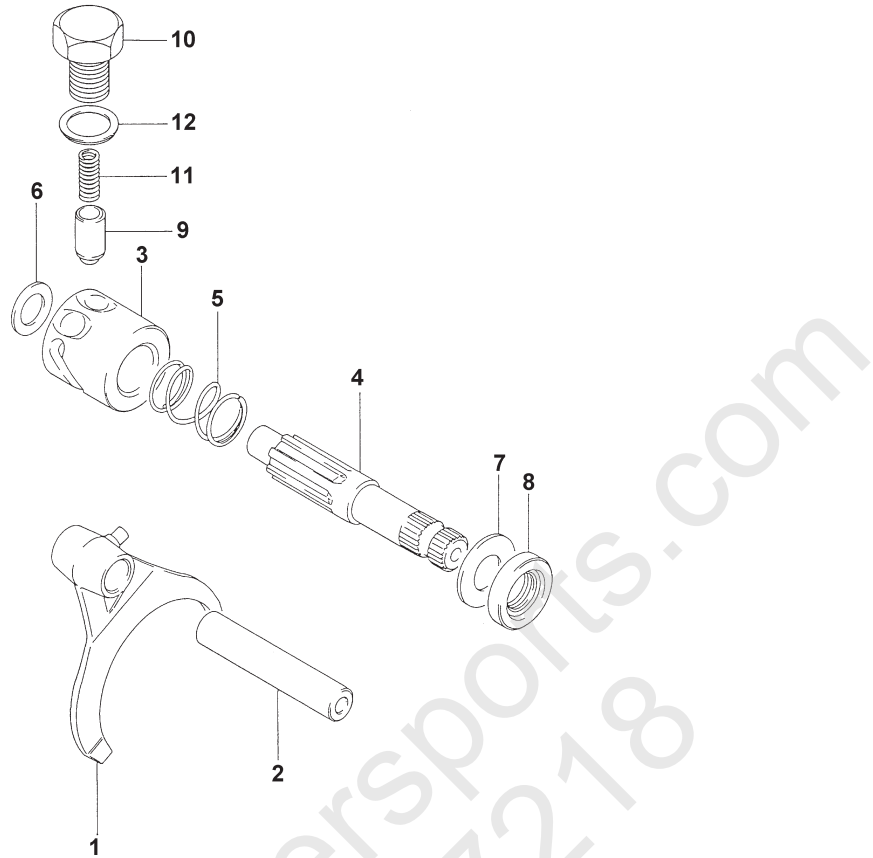


## DIFFERENTIAL GEAR ASSEMBLY (4X4)

(Complete Assembly p/n 3502-001)

0733-758 \*Not in Assembly

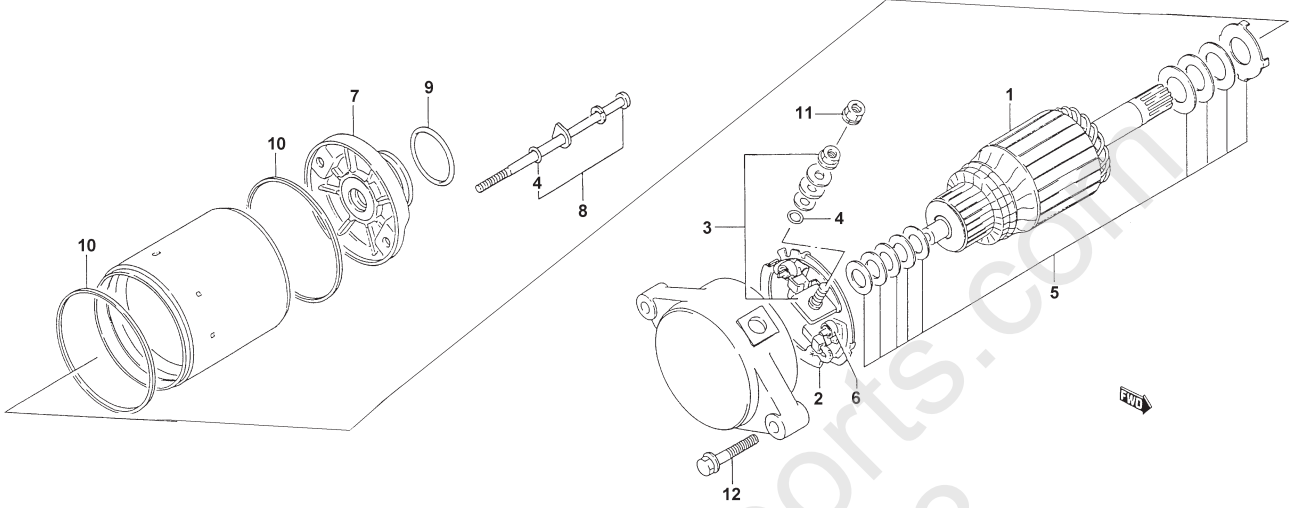
Ref.	Part No.	Qty.	Description	Ref.	Part No.	Qty.	Description
1	3435-068	1	Gear, Front Drive Bevel	27	3435-078	1	Case, Driven Gear Bearing
2	3402-016	1	Spacer	28	3435-079	1	Cover
3	3402-065	1	Bearing, Front	29	3402-185	1	Bearing, Left
4	3402-066	1	Bearing, Rear	30	3402-057	1	Bearing, Right
5	3402-059	1	Bearing	31	3402-072	3	Seal, Oil
6	3435-076	1	Case, Differential	32	3402-323	1	Gasket, Case Cover
7	3435-071	2	Pinion, Differential Side	33	3423-010	2	Screw, Cap
8	3435-072	1	Gear, Right	34	3423-175	11	Screw, Cap
9	3435-080	1	Gear, Left	35	0693-327	2	Screw, Cap
10	3435-073	1	Shaft, Pinion	36	3004-756	2	Screw, Cap
11	3435-070	1	Hub	37	3005-206	2	Pin, Dowel
12	3435-074	1	Shaft, Driven Output	38	3435-009	1	Flange, Drive Bevel Gear (inc. 39-42)
13	3423-294	AR	Washer	39	3423-034	1	• Plate
	3423-295	AR	Washer	40	3435-029	1	• Collar
	3423-296	AR	Washer	41	3435-030	1	• Plate, Oil Seal
14	3423-297	1	Washer	42	3423-060	1	• O-Ring
15	3423-293	2	Washer	43	3423-178	1	Nut
16	3402-309	1	Pin, Pinion Shaft	44	3423-028	1	Washer
17	3423-309	6	Screw, Cap	45	3402-036	1	Plug, Drain
18	3435-077	1	Housing, Differential Gear (inc. 19)	46	3402-012	1	Gasket
19	3402-084	1	• Union, Breather	47	3402-038	1	Plug, Filler
20	3435-021	1	Housing, Drive Bevel Gear	48	3423-054	1	O-Ring
21	3423-317	1	Washer	49	0402-147	1	Bladder, Housing*
22	3435-017	1	Shim Set, Front Drive Bevel Gear	50	0123-811	1	Tie, Cable*
23	3435-020	1	Shim Set, Drive Gear Bearing	51	3435-075	1	Dog
24	3435-022	1	Shim Set, Front Drive Bevel Housing	52	3423-341	2	Nut
25	3423-064	1	O-Ring	53	3423-070	2	Circlip
26	3423-050	1	O-Ring	54	3435-069	1	Gear, Front Driven Bevel



## DIFFERENTIAL LOCK ASSEMBLY (4X4)

0733-759

Ref.	Part No.	Qty.	Description	Ref.	Part No.	Qty.	Description
1	3446-205	1	Fork, Differential Locking	7	3423-339	1	Washer, Left
2	3446-202	1	Shaft, Fork	8	3402-076	1	Seal, Oil
3	3446-203	1	Cam, Differential Locking	9	3446-119	1	Stopper, Shift Cam
4	3446-204	1	Shaft, Cam	10	3446-046	1	Plug, Oil
5	3402-311	1	Spring	11	3402-089	1	Spring
6	3423-300	1	Washer, Right	12	3402-012	1	Gasket

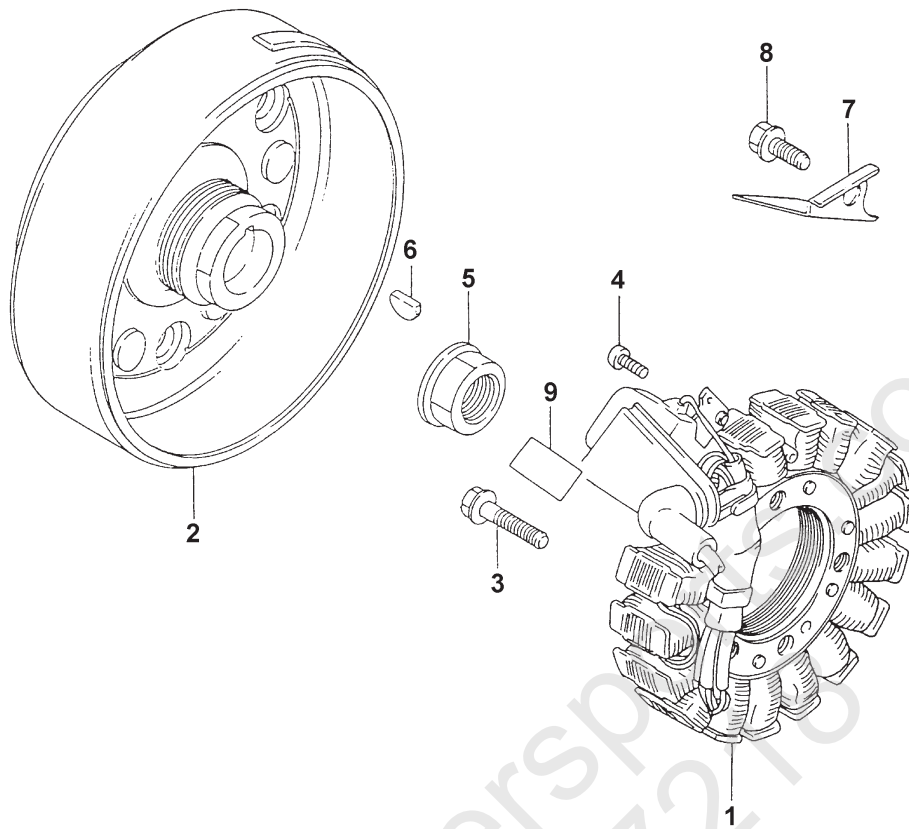


# STARTER MOTOR ASSEMBLY

(Complete Assembly p/n 3545-003)

0733-760

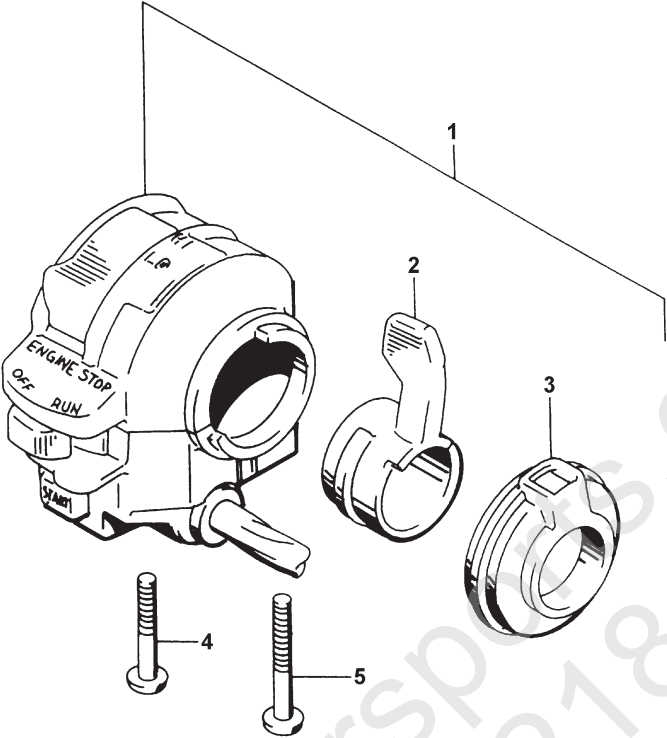
Ref.	Part No.	Qty.	Description	Ref.	Part No.	Qty.	Description
1	3008-554	1	Armature	7	3008-552	1	Bracket, Front - Assembly
2	3008-550	1	Holder Set, Brush	8	3423-289	2	Bolt Set (inc. 4)
3	3008-549	1	Terminal Set, Brush (inc. 4)	9	3423-272	1	O-Ring
4	3008-164	3	• O-Ring	10	3008-553	2	O-Ring
5	3008-099	1	Washer Set	11	3423-195	1	Nut
6	3008-551	2	Spring, Brush	12	3004-756	2	Screw, Cap



## MAGNETO ASSEMBLY

0733-761

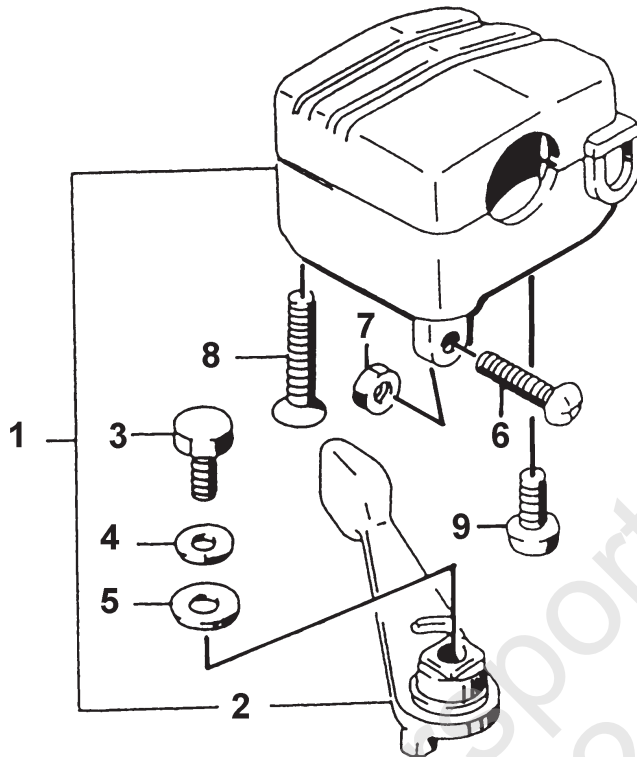
Ref.	Part No.	Qty.	Description	Ref.	Part No.	Qty.	Description
1	3430-021	1	Stator - Assembly	5	3423-086	1	Nut, Magneto
2	3430-039	1	Rotor/Flywheel (250)	6	3004-540	1	Key
	3430-022	1	Rotor/Flywheel (300)	7	3430-023	1	Plate
3	3004-756	3	Bolt, Magneto	8	3423-112	1	Screw, Cap
4	3423-326	2	Screw, Cap	9	3430-036	1	Sheet, Heat Protection



### CONTROL SWITCH HOUSING ASSEMBLY

0732-323

Ref.	Part No.	Qty.	Description	Ref.	Part No.	Qty.	Description
1	3409-002	1	Switch, Handlebar Control - Assembly (inc. 2-5)	3	3409-010	1	• Cover, Choke Lever
2	3409-009	1	• Lever, Choke	4	3423-196	1	• Screw, Cap
				5	3423-197	1	• Screw, Cap



## THROTTLE CASE ASSEMBLY

0732-324

Ref.	Part No.	Qty.	Description	Ref.	Part No.	Qty.	Description
1	3509-003	1	Case, Throttle - Assembly (inc. 2-9)	6	3423-014	1	• Screw
2	3409-001	1	• Lever	7	3423-327	1	• Nut
3	3004-533	1	• Screw, Cap	8	3423-199	2	• Screw
4	3004-447	1	• Washer, Lock	9	3004-638	1	• Screw
5	3003-030	1	• Washer				

# Related Items

## 2000 ATV 250/300 2X4/300 4X4

### 250 Red (Model No. A2000ATE2AUSR)

### 300 2X4 Red (Model No. A2000ATF2AUSR)

### 300 4X4 Red (Model No. A2000ATF4AUSR)

### 250 Green (Model No. A2000ATE2AUSG)

### 300 2X4 Green (Model No. A2000ATF2AUSG)

### 300 4X4 Green (Model No. A2000ATF4AUSG)

0436-016	Accessory Plug Kit	0436-051	Portable Spot Light Mount
0638-395	Antifreeze	0436-040	Portable Spot Light
0436-127	Auxiliary Fan Kit	0436-039	Portable Work Light
0436-174	Bag, Rack, Front, Advantage	0436-177	Prefilter, Air Filter
0436-143	Bag, Rack, Front, Black	0436-225	Rack Extension, 4 in.
0436-207	Bag, Rack, Front, Wetlands	0436-226	Rack Extension, 8 in.
0436-175	Bag, Rack, Rear, Advantage	0436-202	Rack Pouch, Std Rack, Advantage
0436-142	Bag, Rack, Rear, Black	0436-201	Rack Pouch, Std Rack, Black
0436-208	Bag, Rack, Rear, Wetlands	0436-203	Rack Pouch, Std Rack, Wetlands
0436-223	Bag, Tank, Advantage	0436-188	Rack, DLX, Front
0436-185	Bag, Tank, Black	0436-189	Rack, DLX, Rear
0436-212	Bag, Tank, Wetlands	0436-014	Safety Flag
0638-315	Brake Fluid, Hi-Temp	0436-173	Seat Cover, Advantage
0436-075	Bumper, DLX, Front (requires 0436-188)	0436-209	Seat Cover, Wetlands
0436-043	Cargo Box	0436-168	Shock Covers
0436-139	Cargo Trailer	0636-069	Silicone Sealant
0436-011	Cover, Advantage	0436-181	Skid Plate, Rear (250)
0436-010	Cover, Black and Green	0436-228	Snowplow Blade, 50 in. (300 4x4) (use w/0436-229)
0436-125	Cover, Gray Universal	0436-232	Snowplow Deflector Flap (300 4x4) (use w/0436-228)
0436-227	Cover, Mesh, Advantage	0436-233	Snowplow Edge Markers (300 4x4) (use w/0436-228)
0436-216	Cover, Wetlands	0436-231	Snowplow End Plates (300 4x4) (use w/0436-228)
0436-100	CV Joint Protectors, Front (300 4x4)	0436-229	Snowplow Mount (300 4x4) (use w/0436-228)
0436-151	CV Joint Protectors, Rear	0436-234	Snowplow Remote Angle Adjust (300 4x4) (use w/0436-229)
0436-087	Electrical Plug	0436-230	Snowplow Hand Lift Lever Kit (300 4x4)
0436-171	Fender Covers, w/Flares, Advantage (300 4x4)	0217-713	Spark Plug, NGK DR7EA
0436-197	Fender Covers, w/Flares, Wetlands (300 4x4)	0436-129	Speedometer Kit (2x4)
0436-196	Fender Covers, w/o Flares, Advantage (2x4)	0436-119	Spray & Wash Cleaner
0436-198	Fender Covers, w/o Flares, Wetlands (2x4)	0436-218	Tape, 2 in. x 12 ft, Advantage
0436-187	Fender Flair Kit, Front (2x4)	0436-213	Tape, 2 in. x 12 ft, Wetlands
0436-077	Fender Flair Kit, Rear (2x4)	0436-219	Tape, 4 in. x 12 ft, Advantage
0638-043	Fuel De-Icer	0436-214	Tape, 4 in. x 12 ft, Wetlands
0638-165	Fuel Stabilizer	0436-220	Tape, 6 in. x 12 ft, Advantage
0636-056	Funnel, Green	0436-215	Tape, 6 in. x 12 ft, Wetlands
0638-015	Gas Container, 1.2 U.S. gal.	0436-032	Tie-Down, Cam-Loc, Black
0638-014	Gas Container, 2.5 U.S. gal.	0436-031	Tie-Down, Cam-Loc, Green
0638-013	Gas Container, 4 U.S. gal.	0436-101	Tie-Down, Ratchet, Black
0636-053	Gas Container, 6 U.S. gal.	0436-026	Tire Chains, Size B
0670-111	Gas Container Cap	0436-042	Tire Repair, Deluxe
0638-016	Gas Container Flex-Spout	0436-041	Tire Repair, Standard
0670-112	Gas Container Spacer	0436-045	Tire Sealant
0436-149	Gear Indicator Kit (250)	0402-154	Tire, Titan AT471, 25x8-12, Deep Lug
0436-244	Gear Indicator Kit (300 2x4)	0402-155	Tire, Titan AT471, 25x10-12, Deep Lug
0436-200	Gun Scabbard Mount (only)	0402-319	Tire, Titan AT489A, 25x10-12
0441-281	Gun Scabbard (only)	0402-318	Tire, Titan AT489A, 25x8-12
0436-199	Gun Scabbard w/Mount	0402-317	Tire, Titan AT489A, 24x9-12
0436-049	Handwarmers	0402-316	Tire, Titan AT489A, 23x8-12
0436-103	Hourmeter	0436-034	Tool Holder
0638-289	Loctite, #609	0436-152	Toolbox
0436-141	Lunch Pack, Advantage	0436-222	Valuepack, Advantage
0436-211	Lunch Pack, Wetlands	0436-221	Valuepack, Wetlands
0436-122	Lunch Pack, Black	0638-313	Vinyl Protectant
0436-154	Mirror	0436-068	Winch Accessories Kit
0436-093	Mud Flap Kit, Front	0436-145	Winch Kit, 2000 lb
0436-015	Mud Flap Kit, Rear (2x4) (requires 0436-077)	0436-224	Winch Kit, 2500 lb
0436-005	Oil, Engine, 10W-40	0436-117	Winch Mounting Kit
0436-003	Oil, Engine, 5W-30	0436-234	Winch Update Kit
0652-024	Paint, Powder Black	0436-210	Windshield
0652-021	Paint, Satin Black		
0636-054	Plug Caddy		

■ NOTE: For a complete list of related items, refer to the current accessory catalog.